

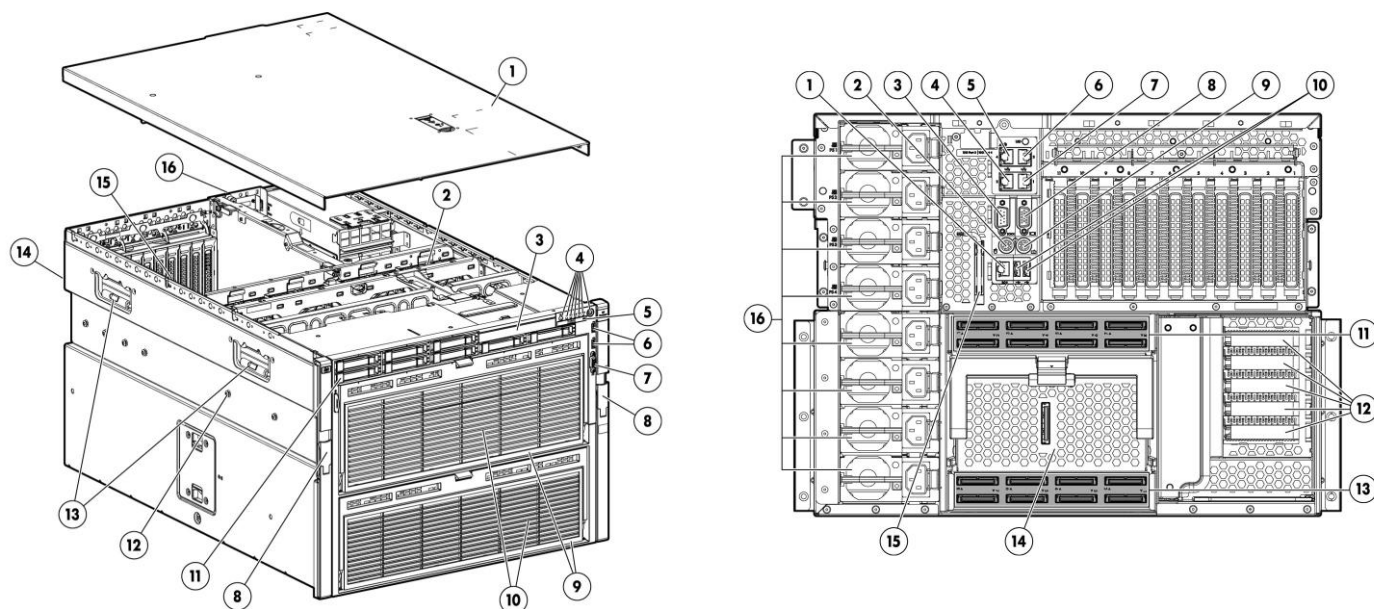
# QuickSpecs

## HP ProLiant DL980 Generation 7 (G7)

### Overview

### HP ProLiant DL980 Generation 7 (G7)

HP ProLiant DL980 G7 with HP PREMA Architecture is an eight socket server built to handle the largest x86 enterprise environments with confidence. The DL980 G7 blends industry standard economies with advanced mission critical capabilities to deliver balanced scaling, self-healing resiliency and breakthrough efficiencies needed in essential enterprise compute environments. Whether housing a single very large data intensive workload, or many consolidated or virtualized workloads to improve resource utilization, the DL980 G7 featuring HP PREMA Architecture with Smart CPU caching and a resilient system fabric, is designed to reduce bottlenecks, improve throughput and performance, as well as deliver enhanced reliability not previously available in an x86 environment.



#### Front View:

1. Quick removal access panel
2. 8 hot plug redundant fans standard on all models, upper four fan positions shown, lower four not shown
3. DVD drive bay
4. Front panel LED display and Power button
5. Slide-out System Insight Display
6. Two front accessible USB 2.0 ports
7. One front video port
8. Quick release lever for fast server access
9. Upper and lower front accessible processor and memory drawer
10. Support for up to eight 10-core Intel Xeon processors (4 processors in upper and 4 processors in the lower drawer)
11. Support for up to 8 small form factor (SFF) SAS drives
12. Universal tool-less "Snap In" Sliding Rail Solution
13. Server lifting handles
14. 8U rack form factor
15. Up to 11 full height/full length slots supported
16. Hot Plug Redundant Power Supplies (4 or 8 depending on the model)

#### Rear View:

1. Integrated Lights-Out 3 port
2. Mouse port
3. Serial port
4. Gigabit NIC port
5. Gigabit NIC port
6. Gigabit NIC port
7. Gigabit NIC port
8. Video port
9. Keyboard port
10. Two USB ports
11. Upper XNC ports
12. Up to 5 low profile slots supported
13. Lower XNC ports
14. XNC module
15. Service tool
16. Power supplies (4 or 8 depending on the model)

# QuickSpecs

## HP ProLiant DL980 Generation 7 (G7)

---

### Overview

#### What's New

- Expanded maximum card limits for Converged Network Adapters to four cards per server
- Support for HP StoreFabric SN1000 16Gb Host Bus Adapters
- Support for HP Smart Array P421 Controller
- Support for HP Ethernet 10Gb 2-port 530T Adapter
- Support for HP 3TB G2 Multi Level Cell PCIe ioDrive2 IO Accelerator
- Support for HP ProLiant DL980 331i SPI Board based on integrated 331i quad port 1GbE networking controller
- Support for HP ProLiant NC375i SPI Board based on integrated NC375i quad-port 1GbE networking controller

# QuickSpecs

## HP ProLiant DL980 Generation 7 (G7)

### Standard Features

**NOTE:** For the Standard Features shipped in the "Factory Integrated Models", please see the "Configuration Information - Factory Integrated Models" section.

#### Processor

Four or Eight of the following processors depending on model

#### Ten-Core Processors

Intel® Xeon® E7-2850 (2.00GHz/10-core/24MB/130W) Processor

Intel® Xeon® E7-2860 (2.26GHz/10-core/24MB/130W) Processor

Intel® Xeon® E7-4870 (2.4GHz/10-core/30MB/130W) Processor

#### Eight-Core Processors

Intel® Xeon® E7-2830 (2.13GHz/8-core/24MB/105W) Processor

#### Six-Core Processors

Intel® Xeon® E7-4807 (1.86GHz/6-core/18MB/95W) Processor

#### Cache Memory

One of the following depending on Model

30MB (1x30MB) Level 3 cache

**NOTE:** For E7-4870 Processor only.

24MB (1 x 24MB) Level 3 cache

**NOTE:** For E7-2830, E7-2850 and E7-2860.

18MB (1 x 18MB) Level 3 cache

**NOTE:** For E7-4807 Processor only.

#### Chipset

Industry Standard Intel® 7500 Chipset

Hewlett-Packard DL980 G7 Node Controller

**NOTE:** Up to three Industry Standard Intel® 7500 Chipsets with six high-speed interconnects up to 6.4GT/s.

**NOTE:** For more information regarding Intel chipsets, please see the following URL:

<http://www.intel.com/products/server/chipsets/>

#### Upgradeability

Upgradeable to eight processors

#### Memory Protection

Advanced ECC

Mirrored Memory

Online Spare Memory Rank

Dynamic Device Data Correction (Intel Xeon E7 Family)

#### Memory

Type PC3-10600R Registered Low Voltage (1.35V) DIMMs (DDR3)

Maximum 4TB (128 x 32GB)

#### Network Controller

Choose one of the following

HP ProLiant DL980 NC375i SPI Board

**NOTE:** Optional Dual Port 10GbE upgrade (replaces two 1G ports).

HP ProLiant DL980 331i SPI Board

**NOTE:** Does not support 10GbE upgrade

#### Expansion Slots

**NOTE:** Up to 16 slots supported: 11 full length/full height and 5 low profile slots. Base I/O backplane configuration: 2 PCI-E 2.0 x8, 3 PCI-E x4. Optional full height/full length I/O backplanes - (choose only one): 2 PCI-E 2.0 x16, 1 PCI-E 2.0 x4, 2 PCI-X OR 4 PCI-E 2.0 x8, 1 PCI-E 2.0 x4, 1 PCI-E 1.1 x4. Optional low profile I/O backplane: 4 PCI-E 2.0 x8, 1 PCI-E 2.0 x4

Expansion Slots with No Option Card	Expansion Slot #	Technology	Width	Connector Width*	Bus Number(*)(**)	Form Factor	Notes
	1	N/A	N/A	N/A	N/A	N/A	N/A

# QuickSpecs

## HP ProLiant DL980 Generation 7 (G7)

### Standard Features

	2	N/A	N/A	N/A	N/A	N/A	N/A
	3	N/A	N/A	N/A	N/A	N/A	N/A
	4	N/A	N/A	N/A	N/A	N/A	N/A
	5	N/A	N/A	N/A	N/A	N/A	N/A
	6	N/A	N/A	N/A	N/A	N/A	N/A
	7	PCI Express Gen2	x4	x8	0x05	FH/FL	
	8	PCI Express Gen2	x4	x8	0x08	FH/FL	
	9	PCI Express Gen2	x8	x16	0x0B	FH/FL	
	10	PCI Express Gen2	x4	x8	0x0E	FH/FL	
	11	PCI Express Gen2	x8	x16	0x11	FH/FL	

\* Default bus assignment. Inserting cards with PCI bridges may alter the actual bus assignment number.

\*\* Slots are enumerated differently based on OS. MS OS's enumerate from lowest to highest Device ID by bus (starting with the lowest bus).

FL= Full length; FH = Full height; LP = low-profile.

Expansion Slots with Combination PCI-X, PCI-e and 300W GPU I/O Expander	Expansion Slot #	Technology	Width	Connector Width*	Bus Number(*)(**)	Form Factor	Notes
	1	PCI-X	64-bit	N/A	0x72 (Device 1)	FH/FL	100MHz
	2	PCI-X	64-bit	N/A	0x72 (Device 2)	FH/FL	100MHz
	3	PCI Express Gen2	x16	x16	0x76	FH/FL	
	4	PCI Express Gen2	x4	x8	0x79	FH/FL	
	5	N/A	N/A	N/A	N/A	N/A	N/A
	6	PCI Express Gen2	x16	x16	0x84	FH/FL	
	7	PCI Express Gen2	x4	x8	0x05	FH/FL	
	8	PCI Express Gen2	x4	x8	0x08	FH/FL	
	9	PCI Express Gen2	x8	x16	0x0B	FH/FL	
	10	PCI Express Gen2	x4	x8	0x0E	FH/FL	
	11	PCI Express Gen2	x8	x16	0x11	FH/FL	

\* Default bus assignment. Inserting cards with PCI bridges may alter the actual bus assignment number.

\*\* Slots are enumerated differently based on OS. MS OS's enumerate from lowest to highest Device ID by bus (starting with the lowest bus).

FL= Full length; FH = Full height; LP = low-profile.

# QuickSpecs

## HP ProLiant DL980 Generation 7 (G7)

### Standard Features

Expansion Slots with Standard PCI-e option I/O Expander	Expansion Slot #	Technology	Width	Connector Width*	Bus Number(*)(**)	Form Factor	Notes
	1	PCI Express Gen1	x4	x8	0x71	FH/FL	
	2	PCI Express Gen2	x8	x16	0x74	FH/FL	
	3	PCI Express Gen2	x8	x16	0x77	FH/FL	
	4	PCI Express Gen2	x4	x8	0x7A	FH/FL	
	5	PCI Express Gen2	x8	x16	0x84	FH/FL	
	6	PCI Express Gen2	x8	x16	0x87	FH/FL	
	7	PCI Express Gen2	x4	x8	0x05	FH/FL	
	8	PCI Express Gen2	x4	x8	0x08	FH/FL	
	9	PCI Express Gen2	x8	x16	0x0B	FH/FL	
	10	PCI Express Gen2	x4	x8	0x0E	FH/FL	
	11	PCI Express Gen2	x8	x16	0x11	FH/FL	

\* Default bus assignment. Inserting cards with PCI bridges may alter the actual bus assignment number.

\*\* Slots are enumerated differently based on OS. MS OS's enumerate from lowest to highest Device ID by bus (starting with the lowest bus).

FL= Full length; FH = Full height; LP = low-profile.

Expansion Slots with Low Profile I/O expander (PCI-e option)	Expansion Slot #	Technology	Width	Connector Width*	Bus Number(*)(**)	Form Factor	Notes
	7	PCI Express Gen2	x4	x8	0x05	FH/FL	
	8	PCI Express Gen2	x4	x8	0x08	FH/FL	
	9	PCI Express Gen2	x8	x16	0x0B	FH/FL	
	10	PCI Express Gen2	x4	x8	0x0E	FH/FL	
	11	PCI Express Gen2	x8	x16	0x11	FH/FL	

# QuickSpecs

## HP ProLiant DL980 Generation 7 (G7)

### Standard Features

	12	PCI Express Gen2	x8	x16	0x71	LP	
	13	PCI Express Gen2	x8	x16	0x74	LP	
	14	PCI Express Gen2	x4	x8	0x77	LP	
	15	PCI Express Gen2	x8	x16	0x7A	LP	
	16	PCI Express Gen2	x8	x16	0x84	LP	

\* Default bus assignment. Inserting cards with PCI bridges may alter the actual bus assignment number.

\*\* Slots are enumerated differently based on OS. MS OS's enumerate from lowest to highest Device ID by bus (starting with the lowest bus).

FL= Full length; FH = Full height; LP = low-profile.

Expansion Slots with Combination PCI-X, PCI-e and 300W GPU and Low Profile PCI-e I/O Expanders	Expansion Slot #	Technology	Width	Connector Width*	Bus Number(*)(**)	Form Factor	Notes
	1	PCI-X	64-bit	N/A	0x52 (Device 1)	FH/FL	100MHz
	2	PCI-X	64-bit	N/A	0x52 (Device 2)	FH/FL	100MHz
	3	PCI Express Gen2	x16	x16	0x56	FH/FL	
	4	PCI Express Gen2	x4	x8	0x59	FH/FL	
	5	N/A	N/A	N/A	N/A	N/A	N/A
	6	PCI Express Gen2	x16	x16	0x5C	FH/FL	
	7	PCI Express Gen2	x4	x8	0x05	FH/FL	
	8	PCI Express Gen2	x4	x8	0x08	FH/FL	
	9	PCI Express Gen2	x8	x16	0x0B	FH/FL	
	10	PCI Express Gen2	x4	x8	0x0E	FH/FL	
	11	PCI Express Gen2	x8	x16	0x11	FH/FL	
	12	PCI Express Gen2	x8	x16	0xA1	LP	
	13	PCI Express Gen2	x8	x16	0xA4	LP	
	14	PCI Express Gen2	x4	x8	0xA7	LP	
	15	PCI Express	x8	x16	0xAA	LP	

# QuickSpecs

## HP ProLiant DL980 Generation 7 (G7)

### Standard Features

		Gen2					
	16	PCI Express Gen2	x8	x16	0xAD	LP	

\* Default bus assignment. Inserting cards with PCI bridges may alter the actual bus assignment number.

\*\* Slots are enumerated differently based on OS. MS OS's enumerate from lowest to highest Device ID by bus (starting with the lowest bus).

FL= Full length; FH = Full height; LP = low-profile.

Expansion Slots with Standard PCI-e and Low Profile PCI-e option I/O Expanders	Expansion Slot #	Technology	Width	Connector Width*	Bus Number(*)(**)	Form Factor
	1	PCI Express Gen1	x4	x8	0x51	FH/FL
	2	PCI Express Gen2	x8	x16	0x54	FH/FL
	3	PCI Express Gen2	x8	x16	0x57	FH/FL
	4	PCI Express Gen2	x4	x8	0x5A	FH/FL
	5	PCI Express Gen2	x8	x16	0x5D	FH/FL
	6	PCI Express Gen2	x8	x16	0x60	FH/FL
	7	PCI Express Gen2	x4	x8	0x05	FH/FL
	8	PCI Express Gen2	x4	x8	0x08	FH/FL
	9	PCI Express Gen2	x8	x16	0x0B	FH/FL
	10	PCI Express Gen2	x4	x8	0x0E	FH/FL
	11	PCI Express Gen2	x8	x16	0x11	FH/FL
	12	PCI Express Gen2	x8	x16	0xA1	LP
	13	PCI Express Gen2	x8	x16	0xA4	LP
	14	PCI Express Gen2	x4	x8	0xA7	LP
	15	PCI Express Gen2	x8	x16	0xAA	LP
	16	PCI Express Gen2	x8	x16	0xAD	LP

# QuickSpecs

## HP ProLiant DL980 Generation 7 (G7)

### Standard Features

\* Default bus assignment. Inserting cards with PCI bridges may alter the actual bus assignment number.  
 \*\* Slots are enumerated differently based on OS. MS OS's enumerate from lowest to highest Device ID by bus (starting with the lowest bus).  
 FL= Full length; FH = Full height; LP = low-profile.

**Expansion Slot Restrictions** Up to 16 I/O cards are supported within the DL980 server, however due to I/O port space limitations, no more than 11 of any combination of the following I/O cards may be installed in the DL980 server at one time:

- HP SC08e 2-ports Ext PCIe x8 SAS Host Bus Adapter (PN 614988-B21)

**Storage Controller** HP Smart Array P410i controller with optional FBWC  
 The Flash Backed Write Cache (FBWC) increases cache data retention capabilities from two days of existing battery backed write cache (BBWC) to infinite data retention.

- Standard on 4P Models, optional on factory integrated models
- Transportable data protection
- Increases overall controller performance

<b>Internal Storage Devices</b>	Diskette Drive	None
	Optical Drive	Slimline DVD-RW Drive standard
	Hard Drives	None ship standard
	Hard Disk Drive Backplane	Internal SAS backplane supports up to eight SFF hard disk drives

<b>Maximum Internal Storage</b>	Hot Plug SFF SAS	7.2TB	8 x 900GB
	Hot Plug SFF SAS SSD	3.2TB	8 x 400GB

<b>Interfaces</b>	Serial	1
	Video	1 front; 1 rear
	SD slot	1
	Network RJ-45	4
	iLO 3 Remote Management	1
	Keyboard	1
	Pointing Device (Mouse)	1
	USB 2.0 Ports	6 total: 2 front (video); 2 rear (video, NIC); 2 internal

<b>Industry Standard Compliance</b>	ACPI 2.0. Compliant
	PCIE 2.0 Compliant
	PXE Support
	WOL Support
	Physical Address Extension (PAE) Support
	Microsoft® Logo certifications
	USB 2.0 Support

**Server Power Cords** One 6' highline (IEC-IEC) power cord per power supply is shipped standard with each system.



# QuickSpecs

## HP ProLiant DL980 Generation 7 (G7)

### Standard Features

**NOTE:** If customers require a local power cord, they can check the power cord matrix for the appropriate country specific sku. Please see the following power cord matrix for details: <http://www.hp.com/go/powercordmatrix>

#### Power Supply

**NOTE:** Rear accessible Hot Plug Power Supplies with option for redundancy (Redundant power supplies are standard on some models).

E7-2800 4P Model: (4) 1200W Common Slot Platinum Power Supplies (220VAC only)

E7-4800 4P Model: (8) 1200W Common Slot Platinum Power Supplies (220VAC only)

**NOTE:** The HP ProLiant DL980 G7 requires four power supplies to operate. With four power supplies there is no power redundancy. Eight power supplies are required for power redundancy. The level of redundancy will be reported during the system power on.

#### System Fans

8 Hot plug, redundant fans ship standard

#### Required Cabling

For required cabling information, refer to the HP Web site at: [www.hp.com/servers/dl980](http://www.hp.com/servers/dl980)

#### Operating Systems and Virtualization Software Support for ProLiant Servers

[Microsoft Windows Server](#)  
[Microsoft Windows Server Hyper V](#)  
[Red Hat Enterprise Linux \(RHEL\)](#)  
[SUSE Linux Enterprise Server \(SLES\)](#)  
[Oracle Solaris](#)  
[Oracle Linux](#)  
[VMware](#)

**NOTE:** For more information on HP's Certified and Supported ProLiant Servers for OS and Virtualization Software and latest listing of software drivers available for your server, please visit our Support Matrix at: <http://www.hp.com/go/ossupport> and our driver download page [www.hp.com/support/DL980G7](http://www.hp.com/support/DL980G7).

#### Graphics

Integrated ATI ES1000 with 32MB embedded video SDRAM  
 Max Resolution 1280 x 1024 x 16M color

#### Form Factor

Rack (8U = 14 inches)

Ships with Quick Deploy Sliding Rail System, an ambidextrous cable management arm and quick release levers for fast and easy serviceability and in-rack tool-less access to major components.

#### HP Insight management software

HP Insight Foundation

Managing the growing number of servers can be complex and expensive for your organization. IT managers need to address changing business needs with tools that meet the challenges of managing today's complex Datacenters.

HP provides management solutions that are designed to simplify a server's installation, configuration and maintenance throughout the entire server lifecycle. This provides the customer with higher levels of operational efficiency and highly reliable systems: [www.hp.com/go/foundation](http://www.hp.com/go/foundation).

The foundation pack includes:

- HP SmartStart
- HP Management DVD
- HP ProLiant Smart Update Firmware DVD

SmartStart version supported (minimum): SmartStart 8.5  
<http://www.hp.com/servers/smartstart>

# QuickSpecs

## HP ProLiant DL980 Generation 7 (G7)

### Standard Features

**NOTE:** In an effort to support reducing our environmental impact, the HP Insight Foundation Suite for ProLiant media will be available as a selectable option for this server at time of order of a CTO SKU. This will allow customers to order the number of media kits that best meet their needs and eliminate receiving unnecessary duplicate media.

#### HP Integrated Lights-Out (iLO)

HP Integrated Lights-Out (iLO) simplifies server setup, health monitoring, power and thermal control, and lights-out remote administration of ProLiant ML, DL, and BL servers. HP iLO functions without additional software and can be accessed from any location via a web browser. HP iLO works hand-in-hand with HP Systems Insight Manager, Insight Control suites, and Insight Dynamics for ProLiant, helping customers unleash the value of the ProLiant platform and deliver the highest possible quality of IT service. HP iLO can be purchased stand-alone and it also is included with the purchase of HP Insight Control. For more information, visit: [www.hp.com/go/iLO](http://www.hp.com/go/iLO)

#### Intelligent Manageability

HP Systems Insight Manager  
 SmartStart  
 Redundant ROM  
 Remote Flash ROM  
 Management Agents  
 Integrated Management Log (IML)  
 Automatic Server Recovery-2 (ASR-2)  
 ROM-Based Setup Utility (RBSU)  
 Dynamic Sector Repairing (with Smart Array Controllers)  
 Drive Parameter Tracking (with Smart Array Controllers)  
 Pre-Failure Warranty (covers processors, SAS hard drives and memory)  
 Redundant/adaptive load balancing NIC Support  
 Hot Spare Boot

**NOTE:** Upon the event of a failed processor in a multi-processing environment, the system will automatically reboot and use the remaining good processor(s).

#### Security

Power-on password  
 Keyboard password  
 External USB port enable/disable  
 Network Server Mode  
 Serial interface control  
 Administrator's password  
 Removable CD-ROM or DVD drive

#### Warranty

This product is covered by a global limited warranty and supported by HP Services and a worldwide network of HP Authorized Channel Partners resellers. Hardware diagnostic support and repair is available for three years from date of purchase. Support for software and initial setup is available for 90 days from date of purchase. Enhancements to warranty services are available through HP Care Pack services or customized service agreements. Hard drives have either a one year or three year warranty; refer to the specific hard drive QuickSpecs for details.

**NOTE:** Server Warranty includes 3-Year Parts, 3-Year Labor, 3-Year Onsite support with next business day response. Warranty repairs may be accomplished through the use of Customer Self Repair (CSR) parts. These parts fall into two categories: 1) Mandatory CSR parts are designed for easy replacement. A travel and labor charge will result when customers decline to replace a Mandatory CSR part; 2) Optional CSR parts are also designed for easy replacement but may involve added complexity. Customers may choose to have HP replace Optional CSR parts at no charge. Additional information regarding worldwide limited warranty and technical support is available at: <http://h18004.www1.hp.com/products/servers/platforms/warranty/index.html>

## Optional Features

<b>HP Insight management software</b>	HP Insight Control	<p>HP Insight Control, a product option, delivers essential infrastructure management that can help save time and money by making it easy to deploy, migrate, monitor, remote control, and optimize your IT infrastructure through a single, simple management console.</p> <p>Two versions of Insight Control are available, to serve environments requiring either a Linux-based or a Windows-based central management server: HP Insight Control for Linux, and HP Insight Control. See <a href="http://www.hp.com/go/insightcontrol">www.hp.com/go/insightcontrol</a></p> <p>HP Insight Control includes one year of 24 x 7 HP Software Technical Support and Update Service ensuring rapid access to HP support staff and proactive delivery of software updates. For more information about this service, please visit: <a href="http://www.hp.com/services/insight">http://www.hp.com/services/insight</a>.</p>
	HP Insight Dynamics for ProLiant	<p>HP Insight Dynamics for ProLiant, a product option, is an integrated command center that enables IT Staff personnel to continuously analyze and optimize a converged infrastructure, while automating and reducing the cost of common data center tasks by as much as 40 percent. As a powerfully integrated by design toolkit to accelerate complex technology projects and simplify daily operations that ultimately enable IT Staff personnel to dynamically keep pace with the organizations changing business requirements. It enables them to plan capacity and power continuously, balance across physical and virtual resources, and ensure cost-effective high availability. It also enables IT organizations to provision infrastructure consistently and automatically from pools of shared resources using a self-service portal. Resources provisioned can range from a single virtual machine to complex multi-tier environments and their associated physical and virtual resource requirements. In addition to the previous functional benefits, it also provides a cost-effective disaster recovery for physical and virtual environments that works with HP Continuous Access software for both the Enterprise Virtual Array and the XP storage array allowing application environments to be reactivated in minutes with the touch of a button to a remote location.</p> <p><b>NOTE:</b> For more information, visit: <a href="http://www.hp.com/go/insightdynamics">http://www.hp.com/go/insightdynamics</a></p>
<b>High Performance Clusters</b>	HP Cluster Platforms	<p>HP Cluster Platforms are specifically engineered, factory-integrated large-scale ProLiant clusters optimized for High Performance Computing, with a choice of servers, networks and software. Operating system options include specially priced offerings for Red Hat Enterprise Linux and SUSE Linux Enterprise Server, as well as Microsoft Windows HPC Server. A Cluster Platform Configurator simplifies ordering. <a href="http://www.hp.com/go/clusters">http://www.hp.com/go/clusters</a></p>
	HP HPC Interconnects	<p>High Performance Computing (HPC) interconnect technologies are available for this server as part of the HP Cluster Platform portfolio. These high-speed InfiniBand and Gigabit interconnects are fully supported by HP when integrated within an HP cluster. Flexible, validated solutions can be defined with the help of configuration tools. <a href="http://www.hp.com/techservers/clusters/ucp/index.html">http://www.hp.com/techservers/clusters/ucp/index.html</a></p>
	HP Cluster Management Utility	<p>HP Cluster Management Utility (CMU) is an HP-licensed and HP-supported suite of tools that are used to manage large-scale Linux ProLiant systems. CMU includes software for the centralized provisioning, management and monitoring of nodes. CMU makes the administration of clusters user</p>

## Optional Features

HP HPC Linux Value Pack	friendly, efficient, and effective. <a href="http://www.hp.com/go/cmu">http://www.hp.com/go/cmu</a> HP HPC Linux Value Pack (Value Pack) is an HP-licensed and HP-supported specially priced software bundle for the development and deployment of applications on HPC Cluster Platforms. Value Pack includes the Platform HPC Enterprise Edition suite of tools including the LSF workload scheduler, the HP-MPI parallelization library. Also included are the HP Unified Parallel C compiler and the HP Shmem library, as well as the execution environments for the libraries and compiler. <a href="#">HP HPC Linux Value Pack</a>
-------------------------	--

**Factory Express Portfolio for Servers and Storage** HP Factory Express offers configuration, customization, integration and deployment services for HP servers and storage products. Customers can choose how their factory solutions are built, tested, integrated, shipped and deployed.

Factory Express offers service packages for simple configuration, racking, installation, complex configuration and design services as well as individual factory services, such as image loading, asset tagging, and custom packaging. HP products supported through Factory Express include a wide array of servers and storage: HP Integrity, HP ProLiant, HP ProLiant Server Blades, HP BladeSystem, HP 9000 servers as well as the MSAxxxx, VA7xxx, EVA, XP, rackable tape libraries and configurable network switches.

For more information on Factory Express services for your specific server model please contact your sales representative or go to: <http://www.hp.com/go/factory-express>.

**HP Simple Configurator** SCE is a guided self service tool to help sales and non technical people provide customers with initial configurations in 3 to 5 minutes. You may then send the configuration on for configuration help, or use in your existing ordering processes. If you require "custom" rack configuration or configuration for products not available in SCE, please contact HP's Customer Business Center or an Authorized Partner for assistance. <http://www.hp.com/products/configurator>

## Service and Support

## Service and Support

**HP Technology Services for Industry Standard Servers**

HP Technology Services delivers confidence, reduces risk and helps customers realize agility and stability. Connect to HP to help prevent problems and solve issues faster. Our support technology lets you to tap into the knowledge of millions of devices and thousands of experts to stay informed and in control, anywhere, any time.

**Protect your business beyond warranty with HP Care Pack Services**

HP Care Pack Services enable you to order the right service level, length of coverage and response time as you purchase your new server, giving you full entitlement for the term you select.

## Optimized Care

**Delivers support services to maintain servers at optimum performance availability. The services included are:****HP Proactive Care Advanced** - 24x7 coverage, three year Care Pack Service

Achieve a higher return on your product investment with the personal attention from a locally assigned Account Support Manager who delivers recommendations designed to improve availability and performance. Leverage your system's ability to connect to HP for automated problem detection and rapid critical event management to increase stability and reduce unplanned downtime. This recommendation provides 24x7 coverage with four-hour response for hardware and two-hour callback for supported software. Collaborative call management comes with Proactive Care Advanced or you may choose full support from HP where we own all cases through to resolution. HP is a leading provider of support services for most operating systems used on HP BladeSystem with long, successful partnerships with vendors such as Microsoft, Red Hat, VMware, SUSE and others. Purchasing software support from HP simplifies troubleshooting and shortens time to resolution with one call for hardware or software questions.

<http://h20195.www2.hp.com/V2/GetDocument.aspx?docname=4AA5-3259ENW&cc=us&lc=en>

## Standard Care

**Support services to maintain high level of server availability. The services included are:****HP Proactive Care with 24x7 coverage, three year Care Pack Service**

HP Proactive Care helps prevent problems and stabilize IT by utilizing secure, real-time, predictive analytics and proactive consultations when your products are connected to HP. This Care Pack Service combines three years' proactive reporting and advice with our 24x7 coverage and enhanced escalation management, four hour hardware response time and two hour call back for software questions on leading industry standard software running on your HP ProLiant server.

<http://h20195.www2.hp.com/v2/GetPDF.aspx/4AA3-8855ENW.pdf>

## Related Services

**HP Datacenter Care service**

HP Datacenter Care helps you improve IT stability and security, increase the value of IT, and enable agility and innovation. It is a structured framework of repeatable, tested, and globally available services "building blocks." You can deploy, operate, and evolve your datacenter wherever you are on your IT journey. With HP Datacenter Care, you benefit from a personalized relationship with HP via a single point of accountability for HP and others' products. For more information, visit

[www.hp.com/services/datacentercare](http://www.hp.com/services/datacentercare)

**HP ProLiant Server Hardware Installation**

Provides for the basic hardware installation of HP branded servers, storage devices and networking options to assist you in bringing your new hardware into operation in a timely and professional manner.

<http://h20195.www2.hp.com/V2/GetPDF.aspx/5981-9356EN.pdf>

**Factory Express for Servers and storage**

## Service and Support

HP Factory Express offers configuration, customization, integration and deployment services for HP servers and storage products. Customers can choose how their factory solutions are built, tested, integrated, shipped and deployed. For more information on Factory Express services for your specific server model please contact your sales representative or go to: <http://www.hp.com/go/factory-express>.

### **Data Privacy Services**

Protect your data through better media management. HP Data privacy services help manage and protect sensitive data to reduce the risk of unauthorized access to private information and help meet compliance requirements. Our retention services allow you to keep drives and other devices upon failure, our removal services provide convenient data sanitization and our recovery services allow you to safely retire IT assets and capture any remaining value from the hardware.  
[www.hp.com/services/dataprivacy](http://www.hp.com/services/dataprivacy)

Additional HP Care Pack services can be found at: <http://www.hp.com/go/cpc>

---

### **Get connected to HP to improve your support experience**

Prevent problems with innovative, automated monitoring tools and proactive services. Combining Proactive Care Services with our remote support technology such as Insight Online provides you with expert advice and personalized, cloud-based automated IT support, helping to prevent unplanned down time and solve problems quickly. For more information, visit: [www.hp.com/go/proactiveinsightexperience](http://www.hp.com/go/proactiveinsightexperience)

---

### **Parts and Materials**

HP will provide HP-supported replacement parts and materials necessary to maintain the covered hardware product in operating condition, including parts and materials for available and recommended engineering improvements.

Parts and components that have reached their maximum supported lifetime and/or the maximum usage limitations as set forth in the manufacturer's operating manual, product quick-specs, or the technical product data sheet will not be provided, repaired, or replaced as part of these services.

The defective media retention service feature option applies only to Disk or eligible SSD/Flash Drives replaced by HP due to malfunction.

---

### **For more information**

To learn more on HP Business Critical System services, please contact your HP sales representative or HP Authorized Channel Partner. Or visit: <http://www.hp.com/services/bcs>

# QuickSpecs

## HP ProLiant DL980 Generation 7 (G7)

### Pre-configured Models

**NOTE:** For the Standard Features shipped in the "Factory Integrated Models", please see the "Configuration Information - Factory Integrated Models" section.

**NOTE:** Pre-configured models ship with the configurations below. Options can be selected from the Core or Additional options section of this QuickSpecs.

**NOTE:** HP does not allow factory integration of options into pre-configured models. Any additional options purchased will be shipped separately.

**NOTE:** If you desire a custom configuration please see "Configuration Information - Factory Integrated Models" section of this QuickSpecs.

**NOTE:** Not all models are available in all regions. Check with your local country HP offices for availability.

<b>HP ProLiant DL980 G7 E7-4870 2.4GHz 10 Core 4p Server</b> AM447A	<b>Processor(s)</b>	(4) Intel® Xeon® E7-4870 (2.4GHz/10-core/30MB/130W) Processors
	<b>Cache Memory</b>	30MB (1 x 30MB) Level 3 cache
	<b>Memory</b>	256GB (32 x 8GB) PC3-10600R Registered DIMMs (DDR3)
	<b>Network Controller</b>	HP NC375i Integrated Quad Port Gigabit Server Adapter
	<b>Storage Controller</b>	HP Smart Array P410i Controller with 512MB FBWC
	<b>Hard Drives</b>	None ship standard
	<b>Internal Storage</b>	7.2TB max (with optional 900GB SAS hard drives)
	<b>Optical Drive</b>	Slimline DVD-RW Drive standard
	<b>Power Supply</b>	Eight 1200W Common Slot Platinum power supplies standard (fifth - eighth power supply are for redundancy)
	<b>Fans</b>	8 Hot plug, redundant fans ship standard
	<b>Integrated Lights-Out</b>	HP Integrated Lights-Out 3 (iLO 3) management processor (integrated on system board)
	<b>Insight Control</b>	HP Insight Control No Media single server license, including 1 year of 24x7 Technical Support
	<b>Form Factor</b>	Rack 8U
	<b>Warranty</b>	Server Warranty includes 3-Year Parts, 3-Year Labor, 3-Year Onsite support with next business day response.

<b>HP ProLiant DL980 G7 E7-2860 2.26GHz 10 Core 4p Server</b> AM448A	<b>Processor(s)</b>	(4) Intel® Xeon® E7-2860 (2.26GHz/10-core/24MB/130W) Processors
	<b>Cache Memory</b>	24MB (1 x 24MB) Level 3 cache
	<b>Memory</b>	128GB (16 x 8GB) PC3-10600R Registered DIMMs (DDR3)
	<b>Network Controller</b>	HP NC375i Integrated Quad Port Gigabit Server Adapter
	<b>Storage Controller</b>	HP Smart Array P410i Controller with 512MB FBWC
	<b>Hard Drives</b>	None ship standard
	<b>Internal Storage</b>	7.2TB max (with optional 900GB SAS hard drives)
	<b>Optical Drive</b>	Slimline DVD-RW Drive standard
	<b>Power Supply</b>	Four 1200W Common Slot Platinum power supplies standard
	<b>Fans</b>	8 Hot plug, redundant fans ship standard
	<b>Integrated Lights-Out</b>	HP Integrated Lights-Out 3 (iLO 3) management processor (integrated on system board)
	<b>Insight Control</b>	HP Insight Control No Media single server license, including 1 year of 24x7 Technical Support
	<b>Form Factor</b>	Rack 8U
	<b>Warranty</b>	Server Warranty includes 3-Year Parts, 3-Year Labor, 3-Year Onsite support with next business day response.

<b>HP ProLiant DL980 G7 E7-</b>	<b>Processor(s)</b>	(4) Intel® Xeon® E7-2830 (2.13GHz/8-core/24MB/105W) Processors
---------------------------------	---------------------	--

# QuickSpecs

## HP ProLiant DL980 Generation 7 (G7)

### Pre-configured Models

<b>2830 2.13GHz 8 Core 4p Server</b> AM449A	<b>Cache Memory</b>	24MB (1 x 24MB) Level 3 cache
	<b>Memory</b>	128GB (16 x 8GB) PC3-10600R Registered DIMMs (DDR3)
	<b>Network Controller</b>	HP NC375i Integrated Quad Port Gigabit Server Adapter
	<b>Storage Controller</b>	HP Smart Array P410i Controller with 512MB FBWC
	<b>Hard Drives</b>	None ship standard
	<b>Internal Storage</b>	7.2TB max (with optional 900GB SAS hard drives)
	<b>Optical Drive</b>	Slimline DVD-RW Drive standard
	<b>Power Supply</b>	Four 1200W Common Slot Platinum power supplies standard
	<b>Fans</b>	8 Hot plug, redundant fans ship standard
	<b>Integrated Lights-Out</b>	HP Integrated Lights-Out 3 (iLO 3) management processor (integrated on system board)
	<b>Insight Control</b>	HP Insight Control No Media single server license, including 1 year of 24x7 Technical Support
	<b>Form Factor</b>	Rack 8U
	<b>Warranty</b>	Server Warranty includes 3-Year Parts, 3-Year Labor, 3-Year Onsite support with next business day response.



## Configuration Information - Factory Integrated Models

**NOTE:** This section lists some of the steps required to configure a Factory Integrated Model. To ensure only valid configurations are ordered, HP recommends the use of an HP approved configurator. Contact your local sales representative for information on configurable product offerings and requirements.

**NOTE:** Configure-to-order (CTO) servers must start with a CTO Chassis.

**NOTE:** FIO indicates that this option is only available as a factory installable option.

**NOTE:** USE AM451A when configuring the system with Intel Xeon® E7-4800 and E7-2800 Series Processor.

**Step 1: Base Configuration**

<b>HP Model</b>	HP ProLiant DL980 G7 Configure-to-order Server <b>NOTE:</b> Use with Intel Xeon® E7-4800 and E7-2800 Series Processors only	AM451A
	<b>Factory Integrated Model ships with:</b> Choose between: HP ProLiant DL980 NC375i SPI Board Or HP ProLiant DL980 331i SPI Board Eight HP Memory Boards Five PCI-express slots HP Smart Array P410i/Zero Memory Controller Four 1200W Common Slot Platinum hot-plug power supplies Eight redundant hot plug fans SFF SAS drive cage HP Integrated Lights-Out 3 (iLO 3) management processor (integrated on system board) Rack form factor, 8U	

**Step 2: Choose Required Options (only one of the following from each list unless otherwise noted)**

<b>HP Processors</b>	<b>NOTE:</b> Each processor kit contains four processors. <b>NOTE:</b> If eight processors are desired select one xxxxxx-L21 and one xxxxxx-B21. Additionally one HP DL980 CPU Assembly: P/N: AM450A for Intel® Xeon® E7-4800 and E7-2800 Series Processors will be required. AM451A is required base configuration for Intel® Xeon® E7-4800 and E7-2800 Series Processors.	
	<b>Ten-Core Processors</b>	
	HP DL980 G7 Intel® Xeon® E7-2850 (2.0Ghz/10-core/24MB/130W) FIO 4-processor Kit	650768-L21
	<b>NOTE:</b> QPI speed is 6.4GT/s	
	HP DL980 G7 Intel® Xeon® E7-2860 (2.26GHz/10-core/24MB/130W) FIO 4-processor Kit	650769-L21
	<b>NOTE:</b> QPI speed is 6.4GT/s	
	HP DL980 G7 Intel® Xeon® E7-4870 (2.4GHz/10-core/30MB/130W) FIO 4-processor Kit	650770-L21
	<b>NOTE:</b> QPI speed is 6.4GT/s	
	<b>Eight-Core Processors</b>	
	HP DL980 G7 Intel® Xeon® E7-2830 (2.13GHz/8-core/24MB/105W) FIO 4-processor Kit	650767-L21
	<b>NOTE:</b> QPI speed is 6.4GT/s	
	<b>Six-Core Processors</b>	
	HP DL980 G7 Intel® Xeon® E7-4807 (1.86GHz/6-core/18MB/95W) FIO 4-processor Kit	650766-L21
	<b>NOTE:</b> QPI speed is 4.8GT/s	
<b>HP Memory</b>	<b>Registered DIMMs (RDIMMs)</b>	

# QuickSpecs

## HP ProLiant DL980 Generation 7 (G7)

### Configuration Information - Factory Integrated Models

	HP 2GB (1x2GB) Dual Rank x8 PC3-10600 (DDR3-1333) Registered CAS-9 Memory Kit	500656-B21
	HP 4GB (1x4GB) Single Rank x4 PC3-10600 (DDR3-1333) Registered CAS-9 Memory Kit	593339-B21
	HP DL980 4GB (1x4GB) Single Rank x4 PC3-10600 (DDR3-1333) Reg CAS-9 Memory Kit	A0R57A
	<b>NOTE:</b> For Intel Xeon E7 Family only.	
	HP DL980 8GB (1x8GB) Dual Rank x4 PC3-10600 (DDR3-1333) Reg CAS-9 Memory Kit	A0R56A
	HP DL980 8GB (1x8GB) Dual Rank x4 PC3L-10600 (DDR3-1333) Reg CAS-9 LP Memory Kit	A0R58A
	<b>NOTE:</b> For Intel Xeon E7 Family only.	
	HP DL980 16GB (1x16GB) Dual Rank x4 PC3L-10600 (DDR3-1333) Reg CAS-9 LP Memory	A0R59A
	<b>NOTE:</b> For Intel Xeon E7 Family only.	
	HP DL980 32GB (1x32GB) Quad Rank x4 PC3L-8500 (DDR3-1066) Reg CAS-7 LP Memory	A0R61A
	<b>NOTE:</b> For Intel Xeon E7 Family only.	
	HP DL980G7 (E7) Memory Cartridge	A0R60A
<b>HP Optical Drives</b>	HP Slim 12.7mm SATA DVD-ROM Optical Drive	481041-B21
	HP Slim 12.7mm SATA DVD-RW Optical Drive	481043-B21

### Step 3: Choose Additional Factory Integratable Options (only one of the following from each list unless otherwise noted)

**NOTE:** This is a list of supported options. Some may be discontinued.

<b>HP Insight Software</b>	HP Insight Control including 1yr 24x7 Support ProLiant ML/DL/BL-bundle Single Server FIO License	582765-B21
	HP Insight Control for Linux including 1yr 24x7 Support ML/DL Bundle 1 Server FIO License	TC203A

### Step 4: Choose Additional Options for Factory Integration

**NOTE:** For additional options, please refer to the "Core Options" and "Additional Options" section below.

# QuickSpecs

## HP ProLiant DL980 Generation 7 (G7)

### Core Options

**NOTE:** Some options may not be integrated at the factory. To ensure only valid configurations are ordered, HP recommends the use of an HP approved configurator. Contact your local sales representative for additional information.

<b>HP Unique Options</b>	HP DL580 G7 PCI Express Kit	588137-B21
	<b>NOTE:</b> Adds four PCI-E 2.0 x8, one PCI-E 2.0 x4 and one PCI-E 1.1 x4.	
	HP DL580 G7 PCI-X Combo Express Kit	588139-B21
	<b>NOTE:</b> Adds two PCI-E 2.0 x16, one PCI-E 2.0 x4 and two PCI-X.	
	<b>NOTE:</b> Suggested Slot placement:	
	<ol style="list-style-type: none"> <li>Slot 3 PCIe2 x 16 (16,8,4,2,1)</li> <li>Slot 6 PCIe2 x 16 (16,8,4,2,1)</li> <li>Slot 9 PCIe2 x 16 (8,4,2,1)*</li> <li>Slot 11 PCIe2 x 16 (8,4,2,1)*</li> </ol> Slot 9 and 11 are physically a x16 slot but will operate electrically at x8	
	HP DL980 G7 Low Profile PCI-E I/O Expansion Kit with Riser Card	AM434A
	<b>NOTE:</b> Adds four PCI-E 2.0 x8, one PCI-E 2.0 x4.	
	HP DL980 E7 Series CPU Installation Assembly	AM450A
	<b>NOTE:</b> Required for 8P configurations only. This part number will be used for Intel Xeon E7-4800 and E7-2800 Series Processors.	

### HP Processors

**NOTE:** Each processor kit contains four processors. 8P configurations require one HP DL980 CPU Assembly (P/N: AM450A)

#### Ten-Core Processors

HP DL980 G7 Intel® Xeon® E7-2850 (2.0Ghz/10-core/24MB/130W) 4-processor Kit 650768-B21

**NOTE:** QPI speed is 6.4GT/s

HP DL980 G7 Intel® Xeon® E7-2860 (2.26GHz/10-core/24MB/130W) 4-processor Kit 650769-B21

**NOTE:** QPI speed is 6.4GT/s

HP DL980 G7 Intel® Xeon® E7-4870 (2.4GHz/10-core/30MB/130W) 4-processor Kit 650770-B21

**NOTE:** QPI speed is 6.4GT/s

#### Eight-Core Processors

HP DL980 G7 Intel® Xeon® E7-2830 (2.13GHz/8-core/24MB/105W) 4-processor Kit 650767-B21

**NOTE:** QPI speed is 6.4GT/s

#### Six-Core Processors

HP DL980 G7 Intel® Xeon® E7-4807 (1.86GHz/6-core/18MB/95W) 4-processor Kit 650766-B21

**NOTE:** QPI speed is 4.8GT/s

### HP Memory

#### Registered DIMMs (RDIMMs)

HP 2GB (1x2GB) Dual Rank x8 PC3-10600 (DDR3-1333) Registered CAS-9 Memory Kit 500656-B21

HP 4GB (1x4GB) Single Rank x4 PC3-10600 (DDR3-1333) Registered CAS-9 Memory Kit 593339-B21

HP DL980 4GB (1x4GB) Single Rank x4 PC3-10600 (DDR3-1333) Reg CAS-9 Memory Kit A0R57A

**NOTE:** For Intel Xeon E7 Family only.

HP DL980 8GB (1x8GB) Dual Rank x4 PC3-10600 (DDR3-1333) Reg CAS-9 Memory Kit A0R56A

HP DL980 8GB (1x8GB) Dual Rank x4 PC3L-10600 (DDR3-1333) Reg CAS-9 LP Memory Kit A0R58A

**NOTE:** For Intel Xeon E7 Family only.



# QuickSpecs

## HP ProLiant DL980 Generation 7 (G7)

### Core Options

HP DL980 16GB (1x16GB) Dual Rank x4 PC3L-10600 (DDR3-1333) Reg CAS-9 LP Memory	A0R59A
<b>NOTE:</b> For Intel Xeon E7 Family only.	
HP DL980 32GB (1x32GB) Quad Rank x4 PC3L-8500 (DDR3-1066) Reg CAS-7 LP Memory	A0R61A
<b>NOTE:</b> For Intel Xeon E7 Family only.	
HP DL980G7 (E7) Memory Cartridge	A0R60A
<b>NOTE:</b> Eight memory boards come standard in all pre-configured and CTO models. A maximum of 16 memory boards are supported in the server (requires installation of the HP DL980 CPU Assembly P/N: AM450A).	

<b>HP Optical Drives</b>	HP Slim 12.7mm SATA DVD-ROM Optical Drive	481041-B21
	HP Slim 12.7mm SATA DVD-RW Optical Drive	481043-B21

### HP Hard Drives

**NOTE:** The components of a storage subsystem (e.g. the drive, the HBA/controller, firmware, and the server backplane) should operate at the same data transfer rate or the system bandwidth will be negotiated down to an acceptable level for all components.

**NOTE:** Hard drives have either a one year or three year warranty; refer to the specific hard drive QuickSpecs for details.

#### SAS Hot Plug SFF (2.5-inch) Enterprise (ENT) Drives

HP 1200GB 12G SAS 10K rpm SFF (2.5-inch) Dual Port Enterprise 3yr Warranty Hard Drive	785079-B21
HP 900GB 12G SAS 10K rpm SFF (2.5-inch) Dual Port Enterprise 3yr Warranty Hard Drive	785075-B21
HP 600GB 12GSAS 10K rpm SFF (2.5-inch) Dual Port Enterprise 3yr Warranty Hard Drive	785073-B21
HP 450GB 6G SAS 10K rpm SFF (2.5-inch) Dual Port Enterprise 3yr Warranty Hard Drive	581284-B21
HP 300GB 12G SAS 10K rpm SFF (2.5-inch) Dual Port Enterprise 3yr Warranty Hard Drive	785071-B21
HP 300GB 6G SAS 15K rpm SFF (2.5-inch) Hot Plug Enterprise 3yr Warranty Hard Drive	627117-B21
HP 146GB 6G SAS 15K rpm SFF (2.5-inch) Dual Port Enterprise 3yr Warranty Hard Drive	512547-B21

**NOTE:** Please see the QuickSpecs for Technical Specifications and additional information:  
[http://h18000.www1.hp.com/products/quickspecs/12244\\_div/12244\\_div.html](http://h18000.www1.hp.com/products/quickspecs/12244_div/12244_div.html)  
 (Worldwide)

#### 12G SAS 10K SFF (2.5-inch) ENT HDD

HP 1.2TB 12G SAS 10K rpm SFF (2.5-inch) Enterprise 3yr Warranty Hard Drive	785079-B21
HP 900GB 12G SAS 10K rpm SFF (2.5-inch) Enterprise 3yr Warranty Hard Drive	785075-B21
HP 600GB 12G SAS 10K rpm SFF (2.5-inch) Enterprise 3yr Warranty Hard Drive	785073-B21
HP 300GB 12G SAS 10K rpm SFF (2.5-inch) Enterprise 3yr Warranty Hard Drive	785071-B21

#### 12G SAS ME (2.5-inch) EM SSD

HP 800GB 12G SAS Mainstream Endurance SFF 2.5-in Enterprise Mainstream 3yr Wty Solid State Drive	741144-B21
HP 400GB 12G SAS Mainstream Endurance SFF 2.5-in Enterprise Mainstream 3yr Wty	741140-B21

## Core Options

Solid State Drive	
HP 200GB 12G SAS Mainstream Endurance SFF 2.5-in Enterprise Mainstream 3yr Wty Solid State Drive	741136-B21
<b>12G SAS HE (2.5-inch) EP SSD</b>	
HP 800GB 12G SAS High Endurance SFF 2.5-in Enterprise Performance 3yr Wty Solid State Drive	741157-B21
HP 400GB 12G SAS High Endurance SFF 2.5-in Enterprise Performance 3yr Wty Solid State Drive	741153-B21
HP 200GB 12G SAS High Endurance SFF 2.5-in Enterprise Performance 3yr Wty Solid State Drive	741148-B21
<b>6G SAS Hot Plug Enterprise Performance Solid State Drives</b>	
HP 400GB 6G SAS SLC SFF (2.5-inch) Enterprise Performance 3yr Warranty Solid State Drive	632494-B21
HP 200GB 6G SAS SLC SFF (2.5-inch) Enterprise Performance 3yr Warranty Solid State Drive	632492-B21
<b>NOTE:</b> Please see the QuickSpecs for Technical Specifications and additional information: <a href="http://h18000.www1.hp.com/products/quickspecs/14038_div/14038_div.html">http://h18000.www1.hp.com/products/quickspecs/14038_div/14038_div.html</a> (Worldwide)	
<b>6G SAS Hot Plug Enterprise Mainstream Solid State Drives</b>	
HP 400GB 6G SAS Mainstream Endurance SFF 2.5-in ENT Mainstream 3yr Warranty Solid State Drive	690821-B21
HP 200GB 6G SAS Mainstream Endurance SFF 2.5-in Enterprise Mainstream 3yr Warranty Solid State Drive	690819-B21
<b>12G SAS Hot Plug Enterprise Mainstream Solid State Drives</b>	
HP 200GB 12G SAS Mainstream Endurance SFF 2.5-in Enterprise Mainstream 3yr Warranty Solid State Drive	779162-B21
HP 400GB 12G SAS Mainstream Endurance SFF 2.5-in ENT Mainstream 3yr Warranty Solid State Drive	779166-B21
<b>NOTE:</b> Please see the QuickSpecs for Technical Specifications and additional information: <a href="http://h18000.www1.hp.com/products/quickspecs/14038_div/14038_div.html">http://h18000.www1.hp.com/products/quickspecs/14038_div/14038_div.html</a> (Worldwide)	
<b>6G SATA VE SFF (2.5-inch) EV G1 Solid State Drive</b>	
HP 480GB 6G SATA Value Endurance SFF 2.5-in Enterprise Value 3yr Wty G1 Solid State Drive	756666-B21
HP 240GB 6G SATA Value Endurance SFF 2.5-in Enterprise Value 3yr Wty G1 Solid State Drive	756651-B21
HP 120GB 6G SATA Value Endurance SFF 2.5-in Enterprise Value 3yr Wty G1 Solid State Drive	756630-B21
<b>6G SATA LE SFF (2.5-inch) EL G1 Solid State Drive</b>	
HP 960GB 6G SATA Light Endurance SFF 2.5-in Enterprise Light 3yr Wty G1 Solid State Drive	756611-B21

## HP Networking

## Integrated Network Adapters



## Core Options

HP ProLiant DL980 NC375i SPI Board A0R66A

**NOTE:** For more details on the NC375i adapter, please check the QuickSpec:  
[http://h18004.www1.hp.com/products/quickspecs/13471\\_div/13471\\_div.html](http://h18004.www1.hp.com/products/quickspecs/13471_div/13471_div.html)

HP ProLiant DL980 331i SPI Board A0R67A

**NOTE:** For more details on the 331i adapter, please check the QuickSpec:  
[http://h18004.www1.hp.com/products/quickspecs/14215\\_div/14215\\_div.html](http://h18004.www1.hp.com/products/quickspecs/14215_div/14215_div.html)

**Gigabit Ethernet Adapters**

HP NC112T PCI Express Gigabit Server Adapter 503746-B21

HP NC360T PCI-E Dual Port Gigabit Server Adapter 412648-B21

HP NC375T PCI Express Quad Port Gigabit Server Adapter 538696-B21

HP NC365T 4-port Ethernet Server Adapter 593722-B21

HP NC382T PCIe Dp Mfn Gigabit Svr Adapter 458492-B21

HP Ethernet 1Gb 2-port 361T Adapter 652497-B21

HP Ethernet 1Gb 4-port 331T Adapter 647594-B21

HP Ethernet 1Gb 2-port 332T Adapter 615732-B21

**10 Gigabit Ethernet Adapters**

HP NC523SFP 10Gb 2-port Server Adapter 593717-B21

HP NC552SFP 10Gb 2-port Ethernet Server Adapter 614203-B21

HP Ethernet 10Gb 2-port 530SFP Adapter 652503-B21

HP Ethernet 10Gb 2-port 560SFP+ Adapter 665249-B21

HP Ethernet 10Gb 2-port 530T Adapter 656596-B21

**NOTE:** The DL980 G7 can support up to

1. Either four NC523SFP or four NC552 SFP or four 530SFP or four 560SFP or four 530T per server under Windows Server 2008 R2 and RHEL.
2. Eight NC550SFP are supported under RHEL and SUSE.

One NC524SFP with either three NC523SFP or three NC552SFP or three 530SFP+ or three 560SFP+ or three 530T or seven NC550SFP.

**NOTE:** A minimum of two Gigabytes (2 GB) of server memory is required per each adapter.

**NOTE:** Direct Attach Cable (DAC) for copper environments or fiber transceivers and cables for fiber-optic environments must be purchased separately.

**NOTE:** Please see the QuickSpecs for Technical Specifications and additional information: [www.hp.com/go/ProLiantNICs](http://www.hp.com/go/ProLiantNICs)

---

**HP InfiniBand** HP InfiniBand 4X QDR ConnectX-2 PCIe G2 Dual Port HCA 592520-B21

**NOTE:** Please see the QuickSpecs for additional information:  
[http://h18000.www1.hp.com/products/quickspecs/13078\\_div/13078\\_div.html](http://h18000.www1.hp.com/products/quickspecs/13078_div/13078_div.html)

---

**HP I/O Expansion Options** HP DL580 G7 PCI-X Combo Express Kit 588139-B21

**NOTE:** Adds two PCI-E 2.0 x16, one PCI-E 2.0 x4 and two PCI-X.  
**NOTE:** Suggested Slot placement:

1. Slot 3 PCIe2 x 16 (16,8,4,2,1)
2. Slot 6 PCIe2 x 16 (16,8,4,2,1)
3. Slot 9 PCIe2 x 16 (8,4,2,1)\*
4. Slot 11 PCIe2 x 16 (8,4,2,1)\*

## Core Options

Slot 9 and 11 are physically a x16 slot but will operate electrically at x8

HP DL580 G7 PCI Express Kit	588137-B21
<b>NOTE:</b> Adds four PCI-E 2.0 x8, one PCI-E 2.0 x4 and one PCI-E 1.1 x4.	
HP DL980 G7 Low Profile PCI-E I/O Expansion Kit with Riser Card	AM434A
<b>NOTE:</b> Adds four PCI-E 2.0 x8, one PCI-E 2.0 x4.	

---

**HP Power Supplies**

**NOTE:** Prior to making a power supply selection it is highly recommended that the HP Power Advisor is run to determine the right size power supply for your server configuration. The HP Power Advisor is located at: [www.hp.com/go/hppoweradvisor](http://www.hp.com/go/hppoweradvisor)

HP Integrity 1200W Common Slot High Efficiency Power Supply Kit	AM470A
---	--------

## Additional Options

**NOTE:** Some options may not be integrated at the factory. To ensure only valid configurations are ordered, HP recommends the use of an HP approved configurator. Contact your local sales representative for additional information.

**HP Insight Software****HP Insight Control**

**NOTE:** This is a list of supported options. Some may be discontinued.

HP Insight Control including 1yr 24x7 Support ProLiant ML/DL/BL-bundle Tracking License TC275A

**NOTE:** Electronic and Flexible-Quantity licenses can be used to purchase multiple licenses with a single activation key.

**NOTE:** Customer will receive a license entitlement certificate. The license entitlement certificate must be redeemed online or via fax in order to obtain the license activation key(s). Includes one year of 24 x 7 HP Software Technical Support and Update Service.

**NOTE:** Licenses ship without media. The HP Insight Control Media Kit can be ordered separately, or can be downloaded at: <http://www.hp.com/go/insightupdates>.

**NOTE:** For additional license options please see the Insight Control QuickSpecs at: [http://h18000.www1.hp.com/products/quickspecs/12631\\_div/12631\\_div.html](http://h18000.www1.hp.com/products/quickspecs/12631_div/12631_div.html)

**HP Insight Control for Linux**

**NOTE:** This is a list of supported options. Some may be discontinued.

HP Insight Control for Linux Media Kit TC208A

**NOTE:** Licenses ship without media. The Media Kit for Insight Control for Linux can be ordered separately, or can be downloaded at: <http://www.hp.com/go/ic-linux> (click on Download button).

**NOTE:** Customer will receive a license entitlement certificate, which must be redeemed online or via fax in order to obtain the license activation key(s). Includes one year of 24 x 7 HP Software Technical Support Service.

**NOTE:** For additional License Kits, including electronic licensing options, please see the QuickSpecs at:

[http://h18000.www1.hp.com/products/quickspecs/13019\\_div/13019\\_div.html](http://h18000.www1.hp.com/products/quickspecs/13019_div/13019_div.html)

**HP Integrated Lights-Out Advanced (iLO Advanced)**

HP iLO Advanced including 1yr 24x7 Technical Support and Updates Electronic License TA850AAE

HP iLO Advanced including 1yr 24x7 Technical Support and Updates Single Server License 512485-B21

**NOTE:** This license allows 1 server to be deployed and managed via HP iLO Advanced. Customer will receive a printed license entitlement certificate via physical shipment. The license entitlement certificate must be redeemed online or via fax in order to obtain the license activation key(s). Includes one year of 24 x 7 HP Software Technical Support Service

**NOTE:** Electronic software is available in all countries except China and Japan. Customers in China and Japan should order the physical equivalent.

**NOTE:** For additional license kits, including electronic delivery options, please see the QuickSpecs at:

[http://h18000.www1.hp.com/products/quickspecs/12362\\_div/12362\\_div.html](http://h18000.www1.hp.com/products/quickspecs/12362_div/12362_div.html)

**High Performance Clusters****HP Cluster Management Utility**

**NOTE:** This is a list of supported options. Some may be discontinued.

HP Cluster Management Utility Flexible License QL803A

**NOTE:** This part number can be used to purchase one certificate for multiple licenses with a single activation key. Each license is for one node (server). Customer



## Additional Options

will receive a printed end user license agreement and license entitlement certificate via physical shipment. The license entitlement certificate must be redeemed online in order to obtain a license key.

HP Cluster Management Utility Media

433257-B21

**NOTE:** Order a minimum of one license per cluster to purchase media including software and documentation, which will be delivered to the customer, and also licenses CMU management. No license key is delivered or required.

**NOTE:** For additional license kits please see the QuickSpecs at:

[http://h18004.www1.hp.com/products/quickspecs/12612\\_div/12612\\_div.html](http://h18004.www1.hp.com/products/quickspecs/12612_div/12612_div.html)

**HP HPC Linux Value Pack**

**NOTE:** This is a list of supported options. Some may be discontinued.

HP High Performance Computing Linux Value Pack 1 Processor Flexible License for ProLiant Servers

TC293B

**NOTE:** This part number can be used to purchase one certificate for multiple licenses with a single activation key. Each license is for one socket (a.k.a. processor). Customer will receive a printed end user license agreement and license entitlement certificate via physical shipment. The license entitlement certificate must be redeemed online in order to obtain a license key.

**NOTE:** For additional license kits please see the QuickSpecs at:

[http://h18004.www1.hp.com/products/quickspecs/13485\\_div/13485\\_div.html](http://h18004.www1.hp.com/products/quickspecs/13485_div/13485_div.html)

**HP Graphics Options**

HP DL580/DL585/DL980 Power Cable Kit

631660-B21

**NOTE:** The HP ProLiant DL980 G7 can support up to 4 (225W) or 3 (300W) Graphic Cards and/or GPGPU Accelerator Options

**NOTE:** An option kit will be required per Graphic Card and/or GPGPU Accelerator Options.

**NOTE:** Depending on the number of GPGPUs required, customers will need to purchase the following I/O expansion boards: DL580G7 PCI-X / PCI Express I/O Exp. Kit: PN: 588139-B21 (Adds two PCI-E 2.0 x16, one PCI-E 2.0 x4 and two PCI-X).

**HP I/O Accelerator Options**

HP 365GB Multi Level Cell G2 PCIe ioDrive2 for ProLiant Servers

673642-B21

HP 785GB Multi Level Cell G2 PCIe ioDrive2 for ProLiant Servers

673644-B21

HP 1205GB Multi Level Cell G2 PCIe ioDrive2 for ProLiant Servers

673646-B21

HP 2410GB Multi Level Cell G2 PCIe ioDrive2 Duo for ProLiant Servers

673648-B21

**NOTE:** Use only on x16 slots for adequate power wattage (Up to 6 cards can be factory integrated in HP ProLiant DL980 Server)

HP 3TB G2 FH/HL PCIe ioDrive2 IO Accelerator for ProLiant Servers

721458-B21

**NOTE:** Up to 10 cards can be factory integrated in HP ProLiant DL980 Server

**NOTE:** Please see the QuickSpecs for Technical Specifications and additional information:

[http://h18000.www1.hp.com/products/quickspecs/13587\\_div/13587\\_div.html](http://h18000.www1.hp.com/products/quickspecs/13587_div/13587_div.html)  
(Worldwide)

**HP Security - TPM**

HP Trusted Platform Module Option

488069-B21

**NOTE:** The TPM (Trusted Platform Module) is a microcontroller chip that can securely store artifacts used to authenticate the server platform. These artifacts can include passwords, certificates and encryption keys. Windows® BitLocker™ Drive Encryption (BitLocker) is a data protection feature available in Windows Server® 2008. BitLocker leverages the enhanced security capabilities of a Trusted Platform Module (TPM) version 1.2. The TPM works with BitLocker to help protect user data and to ensure that a server running Windows Server 2008 has not been

## Additional Options

tampered with while the system was offline. For more information about TPM, including a white paper, go to: [www.hp.com/go/TPM](http://www.hp.com/go/TPM).

**NOTE:** ProLiant OS pre-installed units will come with the partition required for TPM deployment.

**NOTE:** The TPM key is unique to every TPM deployed server and must be retained. Misplacing or losing the key could result in data loss.

## HP Storage Controllers

## SAS Controllers

## Smart Array P212 Controller

HP Smart Array P212/256 1-ports Int/1-ports Ext PCIe x8 SAS Controller 462834-B21

## Smart Array P411 Controller

HP Smart Array P411/256 2-ports Ext PCIe x8 SAS Controller 462830-B21

HP Smart Array P411/512 FBWC 2-ports Ext PCIe x8 SAS Controller 578229-B21

HP Smart Array P411/1G FBWC 2-ports Ext PCIe x8 SAS Controller 572531-B21

## HP P421 Smart Array Controller

HP Smart Array P421/1GB FBWC 6Gb 2-ports Ext SAS Controller 631673-B21

HP Smart Array P421/2GB FBWC 6Gb 2-ports Ext SAS Controller 631674-B21

HP ProLiant DL980 P421 Supercap Mounting Kit A0R93A

**NOTE:**

- Up to ten cards are supported. However, a maximum of three cards are supported for factory integration on HP ProLiant DL980 server.
- For FBWC functionality, HP ProLiant DL980 P421 Mounting Kit is required and is included on factory integrated orders of the HP Smart Array P421 SAS Controller on the HP ProLiant DL980 server.
- For stand-alone orders of the HP Smart Array P421 SAS Controller to use with the HP ProLiant DL980 server, one HP ProLiant P421 Mounting Kit is required for each HP Smart Array P421 SAS Controller.

## Smart Array P812 Controller

HP Smart Array P812/1G FBWC 2-ports Int/4-ports Ext PCIe x8 SAS Controller 487204-B21

## Optional Upgrades

**NOTE:** Maximum of two battery or FBWC kits (for Smart Array Controllers) can be installed in upper full height/full length (FH/FL) I/O slot area. Maximum of one battery or FBWC kit (for Smart Array Controller) can be installed in lower low profile (LP) I/O slot area.

HP 650 mAh P-Series Battery 462969-B21

**NOTE:** Supported on HP Smart Array P212 Controller and HP Smart Array P411 Controller only.

HP 1GB Flash Backed Cache 534562-B21

HP 512MB Flash Backed Write Cache 534916-B21

HP Smart Array Advanced Pack including 1yr 24x7 Technical Support and Updates Single Server License 516471-B21

**NOTE:** This part number can be used to purchase a single license or to order multiple licenses with a single activation key. Customers will receive a license entitlement certificate via e-mail. The license entitlement certificate must be redeemed online or via fax in order to obtain the license activation key(s). Include one year of 24x7 HP Software Technical Support Services.

**NOTE:** Please see the QuickSpecs for Technical Specifications and additional

## Additional Options

information:

[http://h18000.www1.hp.com/products/quickspecs/13203\\_div/13203\\_div.html](http://h18000.www1.hp.com/products/quickspecs/13203_div/13203_div.html)

(Smart Array P212 Controller)

[http://h18000.www1.hp.com/products/quickspecs/13202\\_div/13202\\_div.html](http://h18000.www1.hp.com/products/quickspecs/13202_div/13202_div.html)

(Smart Array P411 Controller)

[http://h18000.www1.hp.com/products/quickspecs/13558\\_div/13558\\_div.html](http://h18000.www1.hp.com/products/quickspecs/13558_div/13558_div.html)

(Smart Array P812 Controller)

[http://h18004.www1.hp.com/products/quickspecs/14229\\_div/14229\\_div.html](http://h18004.www1.hp.com/products/quickspecs/14229_div/14229_div.html)

(Smart Array P421 Controller)

[http://h18000.www1.hp.com/products/quickspecs/13200\\_div/13200\\_div.html](http://h18000.www1.hp.com/products/quickspecs/13200_div/13200_div.html)

(Smart Array Advanced Pack)

**SAS HBA**

HP Modular Smart Array SC08e 2-ports Ext PCIe x8 SAS Host Bus Adapter

614988-B21

**NOTE:** This is a 2 x4 External Port HBA

**NOTE:** This is only approved for the HP P2000 G3 SAS Modular Smart Array.

**NOTE:** Please see the QuickSpecs for Technical Specifications and additional

information:

[http://h18004.www1.hp.com/products/quickspecs/13651\\_div/13651\\_div.html](http://h18004.www1.hp.com/products/quickspecs/13651_div/13651_div.html)

(SC08e 6Gb HBA)

**HP Power Cords**

HP C13 - SEV 1011 CH 250V 10Amp 1.83m Power Cord

AF565A

HP C13 - DK-2.5A DK 250V 10Amp 1.83m Power Cord

AF566A

HP C13 - CEE-VII EU 250V 10Amp 1.83m Power Cord

AF568A

HP C13 - BS-1363A UK/HK/SG 250V 10Amp 1.83m Power Cord

AF570A

HP C13 - CEI-23-50 IT/CL 250V 10Amp 1.83m Power Cord

AF571A

HP C13 - SABS-164 ZA 250V 10Amp 2.5m Power Cord

AF567A

**HP Tape Backup**

**NOTE:** This is a list of supported options. Some may be discontinued.

**NOTE:** For the complete range of tape drives, autoloaders, libraries and media see:

<http://www.hp.com/go/tape>. For hardware and software compatibility of HP tape

backup products see: <http://www.hp.com/storage/SPOCK>.

HP StorageWorks DAT 320 USB (1) in 1U Rack-mount Kit

AP835A

HP DAT 320 SAS Internal Tape Drive

AJ830A

**NOTE:** For installation into 1U SAS rack kit (AE459B) or 3U SAS rack kit (AG576B). No peripheral bay available for installation into the server. Connection using HP P212 Smart Array Controller SAS (462828-B21) recommended.

HP Ultrium 920 SAS Internal Tape Drive

EH847A

**NOTE:** For installation into 1U SAS rack kit (AE459B) or 3U SAS rack kit (AG576B). No peripheral bay available for installation into the server. Connection using HP P212 Smart Array Controller SAS (462828-B21) recommended.

HP StoreEver LTO-4 Ultrium 1760 SAS Internal WW Tape Drive

EH919A

**NOTE:** For installation into 1U SAS rack kit (AE459B) or 3U SAS rack kit (AG576B). No peripheral bay available for installation into the server. Connection using HP P212 Smart Array Controller SAS (462828-B21) recommended.

HP StoreEver LTO-4 Ultrium 1840 SAS Internal Tape Drive

EH860A

**NOTE:** For installation into 3U SAS rack kit (AG576B). No peripheral bay available for installation into the server. Connection using HP P212 Smart Array Controller SAS (462828-B21) recommended.

HP StoreEver LTO-5 Ultrium 3280 SAS Internal Tape Drive

EH899A

**NOTE:** For installation into 3U SAS rack kit (AG576B). No peripheral bay available for installation into the server. Connection using HP P212 Smart Array Controller SAS

## Additional Options

(462828-B21) recommended.

HP 1/8 G2 LTO-5 Ultrium 3000 SAS Tape Autoloader BL536A

**NOTE:** Requires HP 1U Tape Autoloader Rack Kit (AH166A) for rack installation.  
Connection using HP P212 Smart Array Controller SAS (462828-B21) recommended.

HP MSL2024 1 LTO-5 Ultrium 3000 SAS Tape Library BL537A

**NOTE:** Connection using HP P212 Smart Array Controller SAS (462828-B21) recommended.

HP MSL4048 2 LTO-5 Ultrium 3000 SAS Tape Library BL538A

**NOTE:** Connection using HP P212 Smart Array Controller SAS (462828-B21) recommended.

HP MSL8096 2 LTO-5 Ultrium 3000 SAS Tape Library BL539A

**NOTE:** Connection using HP P212 Smart Array Controller SAS (462828-B21) recommended.

## HP Disk Backup

**NOTE:** This is a list of supported options. Some may be discontinued.

**NOTE:** For the complete range of D2D Backup Systems see: <http://www.hp.com/go/d2d>. For the complete range of RDX drives and media see: <http://www.hp.com/go/rdx>. For hardware and software compatibility of HP disk backup products see: <http://www.hp.com/storage/SPOCK>.

**HP D2D Backup Systems with Backup Data Deduplication**

HP D2D2504i Backup System EJ002B

**NOTE:** 3.0TB of useable network disk backup capacity. Network connected appliance with connectivity using the iSCSI protocol. If the server requires a hardware iSCSI initiator, the QLogic QLA4050 Host Bus Adapter is recommended.

HP D2D4112 Backup System EH993B

**NOTE:** 9.0TB (expandable to 18.0TB) of useable network disk backup capacity. Fibre Channel SAN connected appliance. Direct server attach is not supported, requires connection via SAN fabric.

**HP RDX Removable Disk Backup Systems USB**

HP RDX500 Internal Removable Disk Backup System AJ934A

**NOTE:** For installation into 1U USB Rack-Mount Kit (A8007A). No peripheral bay available for drive installation into the server. 500GB of disk capacity per data cartridge.

## HP Storage Options

**Storage Fibre Channel HBA**

**NOTE:** The following is a list of all Fibre Channel Host Bus Adapters for Windows and Linux. For detailed compatibility information please see: <http://h18006.www1.hp.com/storage/saninfrastructure/hba.html>

**Brocade Fibre Channel HBAs**

HP 81B 8Gb 1-port PCIe Fibre Channel Host Bus Adapter AP769B

HP 82B 8Gb 2-port PCIe Fibre Channel Host Bus Adapter AP770B

**Emulex Fibre Channel HBAs**

HP StoreFabric SN1100E 16Gb Single Port Fibre Channel Host Bus Adapter C8R38A

**NOTE:** Max of 4 per server.

HP StoreFabric SN1100E 16Gb Dual Port Fibre Channel Host Bus Adapter C8R39A

**NOTE:** Max of 4 per server.

HP 81E 8Gb 1-port PCIe Fibre Channel Host Bus Adapter AJ762B

## Additional Options

HP 82E 8Gb 2-port PCIe Fibre Channel Host Bus Adapter AJ763B

**QLogic Fibre Channel HBAs**

HP StoreFabric SN1000Q 16GB 1-port PCIe Fibre Channel Host Bus Adapter QW971A

**NOTE:** Max of 4 per server

HP StoreFabric SN1000Q 16GB 2-port PCIe Fibre Channel Host Bus Adapter QW972A

**NOTE:** Max of 4 per server

HP 81Q 8Gb 1-port PCIe Fibre Channel Host Bus Adapter AK344A

HP 82Q 8Gb 2-port PCIe Fibre Channel Host Bus Adapter AJ764A

**Converged Network Adapter**

HP CN1100E Dual Port Converged Network Adapter BK835A

**NOTE:** There is a maximum of four CN1100E 2P Converged Network Adapters allowed in this server

HP CN1000Q Dual Port Converged Network Adapter BS668A

**NOTE:** There is a maximum of four CN1100E 2P Converged Network Adapters allowed in this server.

**NOTE:** When ordered with NC524SFP maximum of one (1) CN1000E or CN1100E or CN1000Q is supported

**HP Disk Storage Systems MSA SAN Storage Arrays**

**NOTE:** This is a list of supported options. Some may be discontinued.

**NOTE:** Please see the QuickSpecs for additional options and configuration information at:

[http://h18000.www1.hp.com/products/quickspecs/12245\\_div/12245\\_div.html](http://h18000.www1.hp.com/products/quickspecs/12245_div/12245_div.html)  
(Worldwide)

**Disk Enclosures**

HP D2600 Disk Enclosure AJ940A

HP D2700 Disk Enclosure AJ941A

**NOTE:** Please see the QuickSpecs for additional options and configuration information at:

[http://h18000.www1.hp.com/products/quickspecs/13404\\_div/13404\\_div.html](http://h18000.www1.hp.com/products/quickspecs/13404_div/13404_div.html)  
(Worldwide)

**HP Uninterruptible Power Systems****HP Rack-mountable UPS****HP R1500 G3 Uninterruptible Power Supply (UPS)**

HP R1.5kVA G3 1U NA Uninterruptible Power System AF469A

HP R1.5kVA G3 1U JP/TW Uninterruptible Power System AF470A

HP R1.5kVA G3 1U INTL Uninterruptible Power System AF471A

**NOTE:** Please see the QuickSpecs for additional information:

[http://h18000.www1.hp.com/products/quickspecs/14059\\_div/14059\\_div.html](http://h18000.www1.hp.com/products/quickspecs/14059_div/14059_div.html)  
(Worldwide)

**HP R/T3000 Uninterruptible Power System (UPS)**

**NOTE:** This is a list of supported options. Some may be discontinued.

HP R/T3000 3300VA High Voltage NA/JPN 2U Rackmount Uninterruptible Power System AF453A

HP R/T3000 3300VA INTL 2U Rackmount Uninterruptible Power System AF454A

**NOTE:** Please see the QuickSpecs for additional information:

## Additional Options

[http://h18000.www1.hp.com/products/quickspecs/13417\\_div/13417\\_div.html](http://h18000.www1.hp.com/products/quickspecs/13417_div/13417_div.html)  
(Worldwide)

**HP R/T3000 G2 Uninterruptible Power System (UPS)**

HP R/T3000 G2 2U L530 Low Voltage NA/JP Uninterruptible Power System	AF466A
HP R/T3000 G2 2U L620 High Voltage NA/JP Uninterruptible Power System	AF467A
HP R/T3000 G2 2U Detachable Cord High Voltage INTL Uninterruptible Power System	AF468A

**NOTE:** Please see the QuickSpecs for additional information:

[http://h18000.www1.hp.com/products/quickspecs/14058\\_div/14058\\_div.html](http://h18000.www1.hp.com/products/quickspecs/14058_div/14058_div.html)  
(Worldwide)

**HP Rack-Mountable R5500 UPS**

**NOTE:** This is a list of supported options. Some may be discontinued.

HP R5500 6000VA INTL 3U Rackmount Uninterruptible Power System	AF416A
HP R5500 5000kVA NA/JP 3U Rackmount Uninterruptible Power System	AF426A

**NOTE:** Please see the QuickSpecs for additional information:

[http://h18000.www1.hp.com/products/quickspecs/11871\\_div/11871\\_div.html](http://h18000.www1.hp.com/products/quickspecs/11871_div/11871_div.html)  
(Worldwide)

**R5000 Uninterruptible Power System (UPS)**

HP R5KVA 3U IEC309-32A High Voltage INTL Uninterruptible Power System	AF461A
HP R5KVA 3U L630 High Voltage NA/JP Uninterruptible Power System	AF460A

**NOTE:** Please see the QuickSpecs for additional information:

[http://h18000.www1.hp.com/products/quickspecs/14109\\_div/14109\\_div.html](http://h18000.www1.hp.com/products/quickspecs/14109_div/14109_div.html)  
(Worldwide)

**R7000 Uninterruptible Power System (UPS)**

HP R7KVA 4U 50A High Voltage NA/JP Uninterruptible Power System	AF462A
HP R7KVA 4U IEC-32A High Voltage INTL Uninterruptible Power System	AF463A

**NOTE:** Please see the QuickSpecs for additional information:

[http://h18000.www1.hp.com/products/quickspecs/14110\\_div/14110\\_div.html](http://h18000.www1.hp.com/products/quickspecs/14110_div/14110_div.html)  
(Worldwide)

**NOTE:** For additional information on HP Uninterruptible Power Systems please go to:  
[www.hp.com/servers/rackups](http://www.hp.com/servers/rackups).

**NOTE:** For additional information on sizing your server, please reference:  
<http://www.upssizer.com>.

**NOTE:** Please see the UPS and PDU cable matrix's on the HP Power Protection and Management page. Under Power Cords, click on the "HP Power Cord Matrix" link. That link will list cable descriptions, requirements, and specifications for UPS and PDU units. Please see the following link: [www.hp.com/products/powercords](http://www.hp.com/products/powercords).

**HP Power Distribution Unit****HP Monitored Power Distribution Unit: Half Rack Version**

**NOTE:** This is a list of supported options. Some may be discontinued.

HP 4.9kVA 24A Single Input Single Phase NA/JP Monitored Power Distribution Unit	AF914A
HP 7.3kVA 32A Single Input Single Phase INTL Monitored Power Distribution Unit	AF915A

**HP Monitored Power Distribution Unit: Full Rack Version**

**NOTE:** This is a list of supported options. Some may be discontinued.

HP 8.6kVA 24A Single Input Three Phase NA/JP Monitored Power Distribution Unit	AF504A
--	--------

## Additional Options

HP 8.3kVA 40A Single Input Single Phase NA/JP Monitored Power Distribution Unit	AF506A
HP 11kVA 16A Single Input Three Phase INTL Monitored Power Distribution Unit	AF508A
HP 7.3kVA 32A Single Input Single Phase INTL Monitored Power Distribution Unit	AF510A

**NOTE:** Please see the following QuickSpecs for additional information:

[http://h18000.www1.hp.com/products/quickspecs/12118\\_div/12118\\_div.html](http://h18000.www1.hp.com/products/quickspecs/12118_div/12118_div.html)  
(Worldwide)

#### Modular Power Distribution Units 1U/0U (Up to 32 outlets)

**NOTE:** This is a list of supported options. Some may be discontinued.

**NOTE:** 1U/0U mounting brackets shipped with the unit (optimized for 10000 and 9000 series racks).

HP 7.3kVA 32A High Voltage INTL Power Distribution Unit	252663-B31
HP 3.6kVA 16A High Voltage INTL Power Distribution Unit	252663-B24

**NOTE:** This PDU has a detachable input power cord and allows for adaptability to country specific power requirements.

**NOTE:** Please see the following QuickSpecs for additional options including shorter jumper cables and country specific power cords:

[http://h18000.www1.hp.com/products/quickspecs/11041\\_div/11041\\_div.html](http://h18000.www1.hp.com/products/quickspecs/11041_div/11041_div.html)  
(Worldwide)

**NOTE:** For additional information on HP Power Distribution Units including accessories please go to: [www.hp.com/go/pdu](http://www.hp.com/go/pdu).

**NOTE:** Please see the UPS and PDU cable matrix's on the HP Power Protection and Management page. Under Power Cords, click on the "HP Power Cord Matrix" link. That link will list cable descriptions, requirements, and specifications for UPS and PDU units. Please see the following link: [www.hp.com/products/powercords](http://www.hp.com/products/powercords).

#### HP Rack Series

##### HP Rack 10000 G2 Series (Carbon/Graphite Metallic)

**NOTE:** This is a list of supported options. Some may be discontinued.

HP 10642 G2 Shock Universal Rack	AF002A
HP 10647 G2 Pallet Universal Rack	AF031A
HP 10642 G2 1200mm deep Shock Rack	AF092A
HP 10647 G2 1200mm deep Shock Rack	AF094A

**NOTE:** It is mandatory to use a shock pallet when shipping racks with equipment installed.

**NOTE:** Please see the Rack 10000 G2 QuickSpecs for Technical Specifications such as height, width, depth, weight, and color:

[http://h18000.www1.hp.com/products/quickspecs/12402\\_div/12402\\_div.html](http://h18000.www1.hp.com/products/quickspecs/12402_div/12402_div.html)  
(Worldwide)

**NOTE:** For additional information regarding Rack Cabinets, please see the following URL: <http://www.hp.com/go/rackandpower>.

**NOTE:** The increasing power of new high-performance processor technology requires increased cooling efficiency for rack-mounted servers. The 10000 G2 Series Racks provide enhanced airflow for maximum cooling, allowing these racks to be fully loaded with servers using the latest processors.

**CAUTION:** If a third-party rack is used, observe the following additional requirements to ensure adequate airflow and to prevent damage to the equipment: Front and rear doors: If your 42U server rack includes closing front and rear doors, you must allow 830 square inches (5,350 sq cm) of hole evenly distributed from top to bottom to permit adequate airflow (equivalent to the required 64 percent open area for ventilation). Side: The clearance between the installed rack component and the side panels of the rack must be a minimum of 2.75 inches (7 cm).

## Additional Options

**CAUTION:** Always use blanking panels to fill all remaining empty front panel U-spaces in the rack. This arrangement ensures proper airflow. Using a rack without blanking panels results in improper cooling that can lead to thermal damage.

Quick deploy rail system provides tool-free support for racks with square or round mounting holes (including Compaq/HP 7000, 9000, 10000 G2 and HP series), with an adjustment range of 24" - 36". The ambidextrous cable management arm can be mounted on either the left or right side for improved cable management.

**HP Rack Options****HP KVM Switch Options**

HP 2x1Ex16 KVM IP Console Switch G2 with Virtual Media CAC Software	AF621A
HP 4x1Ex32 KVM IP Console Switch G2 with Virtual Media CAC Software	AF622A
HP 0x2x16 KVM Server Console Switch G2 with Virtual Media CAC Software	AF618A
HP 0x2x32 KVM Server Console Switch G2 with Virtual Media CAC Software	AF619A
HP 1-pack PS/2 Virtual Media Interface Adapter	AF604A
<b>NOTE:</b> Requires PS/2 and one USB port on server.	
HP Server Console 0x2x8 Port Analog Switch	AF616A
HP Server Console 0x2x16 Port Analog Switch	AF617A
HP KVM CAT5 1-pack PS/2 Interface Adapter	262588-B21
HP KVM CAT5 8-pack PS/2 Interface Adapter	262587-B21
<b>NOTE:</b> Cat5e cables are required to connect Interface Adapters to Console Switches. Cat5e cables can be found at the following URL: <a href="http://www.hp.com/go/kvm">http://www.hp.com/go/kvm</a> .	
HP 1x4 USB/PS2 KVM Console Switch	AF611A
HP 1x4 KVM Console 6ft PS2 Cable	AF612A

**HP USB and SD Options**

HP USB Standard Keyboard DT528A ABA	DT528A#ABA
<b>NOTE:</b> HP qualified blank USB key for use with HP ProLiant servers that support the VMware virtualization environment and other HP value-add software like SmartStart. HP recommends this industry standard USB flash device for use with VMware ESXi. USB device must be installed in the internal slot of the ProLiant server for use with VMware ESXi. Refer to <a href="#">HP VMware Getting Started Guide</a> for installation instructions.	

**HP Care Pack Services****Installation & Start-up Services**

HP Install ProLiant DL980 Hardware only	UV304E
HP Startup ProLiant DL58x Service	U4618E
HP Installation and Startup for Insight Control Server Deployment - previously Rapid Deployment Pack	U5683E
<b>NOTE:</b> For more information, customer/resellers can contact: <a href="http://www.hp.com/services/carepack">http://www.hp.com/services/carepack</a>	



## Memory

**NOTE:** Memory configurations listed do not apply to "Factory Integrated Models".

### HP ProLiant DL980 G7 Models

#### Memory Subsystem Architecture

Intel Xeon E7 Family, 7500 and 6500 series memory architecture is designed to take advantage of multiple stages of memory interleaving to reduce latency and increase bandwidth.

Each Intel Xeon E7, 7500 and 6500 series processor contains two Memory Controllers as shown in the Processor/Memory interconnect figure below. Each Memory controller has two Scalable Memory Interface (SMI) buses operating in lockstep where each SMI bus connects to a memory buffer. The purpose of the buffer is to convert SMI to DDR3. Each buffer has two DDR3 channels and can support up to four DIMMs for a total of eight DIMMs per cartridge.

- The number of DIMMs or ranks does not affect memory frequency, but can affect memory bandwidth and performance. All DIMMs will run at the highest possible frequency for a given processor.
- DDR3 memory speed is a function of the processors QPI bus speed such that
  - Processors with a QPI speed of 6.4GT will run memory at 1066MHz
  - Processors with a QPI speed of 4.8GT will run memory at 800 MHz

#### DIMM Installation guidelines

Each memory cartridge can support up to 8 DIMMs, for a system total of 128 DIMMs. When installing DIMM modules in the Memory Cartridge observe the following minimum guidelines:

- UDIMMs are not supported
- Minimum allowable configuration is 16 DIMMs (two DIMMs on each of the two cartridges connected to processor one through four).
- DIMMs must be installed as Quads (four DIMMs with identical characteristics). For configuration simplicity HP recommends using identical part numbered DIMMs throughout when possible.
- DIMM Quads MUST be populated in sequence by letter designation. Install DIMMs 1A and 8A on each cartridge first, followed by DIMMs 3B and 6B on each cartridge, then DIMMs 2C and 7C, and finally DIMMs 4D and 5D last.
- Maximum performance is achieved by balancing DIMM Quads by letter groupings across all memory cartridges. All 1A and 8A DIMMs should be installed (preferably with the same size DIMMs in all memory cartridges across the entire system) first, followed by the B DIMMs, C DIMMs and D DIMMs.

AMP modes Online Sparing and Memory Mirroring have further requirements beyond these listed here. Please refer to the user guide for additional memory configuration requirements.

#### Memory Cartridge population guidelines

This server contains 8 memory cartridge slots within each processor memory drawer. Observe the following guidelines:

- A memory cartridge must be installed in each slot.
- To maximize performance distribute the total memory capacity evenly between all memory cartridges.
- When operating the system in 40-bit address mode and installing 64x 16GB DIMMs (1TB total memory), the 64 DIMMs must be spread evenly across all 16 memory cartridges, or some of the memory will not be recognized.
- Memory configurations larger than 1TB require the use of 44-bit addressing mode.

#### Hemisphere mode

The Xeon EX architecture incorporates hemisphere mode, a high performance interleaving technology. Hemisphere mode allows interleaving between the two processor memory controllers internal to each processor.

The DL980 G7 always uses Hemisphere mode. This requires that for each processor, the two memory cartridges attached to the processor have matching memory configurations. If the two memory configurations are not equal, the DL980 G7 will ignore (waste) the extra memory in the larger configuration.

## Memory

### Memory Performance Optimization

The DL980 G7 supports 128 DIMMs across eight multi-core processors. While there are many DIMM population configurations that can support any desired total memory size, optimal performance can only be achieved when DIMMs are populated to take advantage of the Xeon EX architecture. The largest contributor to performance is to populate each DDR3 channel in each memory cartridge. To achieve this, the minimum DIMM count per cartridge is four. Maximum bandwidth is reached by fully populating all memory cartridges with the maximum number of eight DIMMs per cartridge.

- The more ranks per DIMM the higher the performance, so Quad rank DIMMs perform better than dual rank DIMMs.
- Performance is best when the installed DIMMs are all of equal size.

**NOTE:** Memory configurations listed do not apply to "Factory Integrated Models". Only registered (RDIMM) speeds of 1066 or 1333 running at 1066 are supported. UDIMMs are not supported.

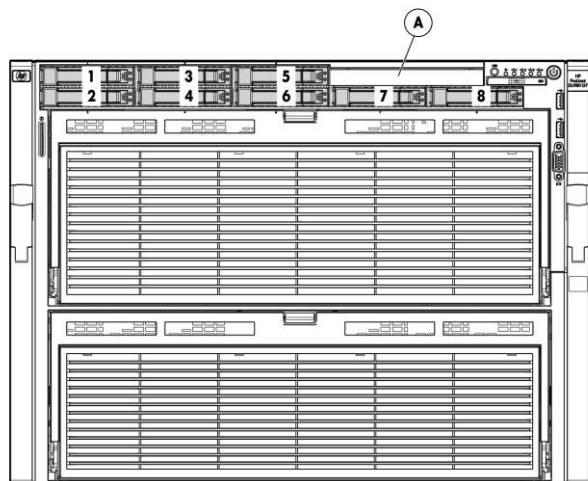
The following memory options are available from HP:

HP Memory	Registered DIMMs (RDIMMs)	
	HP 2GB (1x2GB) Dual Rank x8 PC3-10600 (DDR3-1333) Registered CAS-9 Memory Kit	500656-B21
	HP 4GB (1x4GB) Single Rank x4 PC3-10600 (DDR3-1333) Registered CAS-9 Memory Kit	593339-B21
	HP DL980 4GB (1x4GB) Single Rank x4 PC3-10600 (DDR3-1333) Reg CAS-9 Memory Kit	AOR57A
	<b>NOTE:</b> For Intel Xeon E7 Family only.	
	HP DL980 8GB (1x8GB) Dual Rank x4 PC3-10600 (DDR3-1333) Reg CAS-9 Memory Kit	AOR56A
	HP DL980 8GB (1x8GB) Dual Rank x4 PC3L-10600 (DDR3-1333) Reg CAS-9 LP Memory Kit	AOR58A
	<b>NOTE:</b> For Intel Xeon E7 Family only.	
	HP DL980 16GB (1x16GB) Dual Rank x4 PC3L-10600 (DDR3-1333) Reg CAS-9 LP Memory	AOR59A
	<b>NOTE:</b> For Intel Xeon E7 Family only.	
	HP DL980 32GB (1x32GB) Quad Rank x4 PC3L-8500 (DDR3-1066) Reg CAS-7 LP Memory	AOR61A
	<b>NOTE:</b> For Intel Xeon E7 Family only.	
	HP DL980G7 (E7) Memory Cartridge	AOR60A

# QuickSpecs

## HP ProLiant DL980 Generation 7 (G7)

### Storage



- A DVD drive bay
- 1-8 SFF SAS internal drive cage

### Drive Support

	Quantity Supported	Position Supported	Controller
<b>Removable Media</b>			
HP Slimline DVD Optical drive	1	A	Integrated SATA
HP Slim SATA DVD RW Optical Drive	1	A	Integrated SATA

#### Hard Drives

**NOTE:** The components of a storage subsystem (e.g. the drive, the HBA/controller, firmware, and the server backplane) should operate at the same data transfer rate or the system bandwidth will be negotiated down to an acceptable level for all components.

**NOTE:** Hard drives have either a one year or three year warranty; refer to the specific hard drive QuickSpecs for details.

#### SAS Hot Plug SFF (2.5-inch) Enterprise (ENT) Drives

	Quantity Supported	Position Supported	Controller
1200GB 12G SAS 10K	Up to 8	1-8	HP Smart Array P410i Controller (standard on server) HP Smart Array P812/1GB FBWC Controller
900GB 12G SAS 10K			
600GB 12GSAS 10K			
450GB 6G SAS 10K			
300GB 12G SAS 10K			
300GB 6G SAS 15K			
146GB 6G SAS 15K			
72GB 6G SAS 15K			

#### SATA Hot Plug Midline (MDL) Solid State Drives

	Quantity Supported	Position Supported	Controller
120GB 3G SATA SFF 60GB	Up to 8	1-8	HP Smart Array P410i Controller (standard on server) HP Smart Array P812/1GB FBWC Controller
3G SATA SFF			

# QuickSpecs

## HP ProLiant DL980 Generation 7 (G7)

### Storage

#### 6G SAS Hot Plug Enterprise Performance Solid State Drives

	Quantity Supported	Position Supported	Controller
400GB 6G SAS SLC SFF	Up to 8	1-8	HP Smart Array P410i Controller (standard on server)
200GB 6G SAS SLC SFF			HP Smart Array P812/1GB FBWC Controller
400GB 6G SAS MLC SFF			
200GB 6G SAS MLC SFF			

#### 6G SAS Hot Plug Enterprise Mainstream Solid State Drives

	Quantity Supported	Position Supported	Controller
400GB 6G SAS MLC SFF	Up to 8	1-8	HP Smart Array P410i Controller (standard on server)
200GB 6G SAS MLC SFF			HP Smart Array P812/1GB FBWC Controller

#### External Storage

	Quantity Supported	Position Supported	Host Controller or Adapter
D2600 Disk Enclosure	Up to 4	External	HP Smart Array P212/ 256 MB Controller
	Up to 8	External	HP Smart Array P411/256 MB Controller
			HP Smart Array P411/512 MB BBWC Controller
			HP Smart Array P411/1G FBWC Controller
D2700 Disk Enclosure	Up to 2	External	HP Smart Array P812 Controller
	Up to 4	External	HP Smart Array P212/256 MB Controller
			HP Smart Array P411/256 MB Controller
			HP Smart Array P411/512 MB BBWC Controller
		HP Smart Array P411/1G FBWC Controller	
		HP Smart Array P812 Controller	

#### Maximum Storage Capacity - (External SAS Enclosure Attached)

Internal	7.2TB (8 x 900GB SFF SAS Drives)
External	960TB (80 MSA60 enclosures x 12 drive bays each x 1TB SATA Drives)

#### Tape and Disk-Based Backup

**NOTE:** For the complete range of tape drives, autoloaders, libraries and media, including the internal fitting models, see: <http://www.hp.com/go/tape>. For the complete range of D2D Backup Systems see: <http://www.hp.com/go/d2d>. For the complete range of RDX drives and media see: <http://www.hp.com/go/rdx>. For hardware and software compatibility of HP disk and tape backup products see: <http://www.hp.com/storage/SPOCK>.

	Position Supported	Controller	Controller Part Number
<b>HP USB Tape Drives</b>	External	USB 2.0 Port	N/A
DAT 40			
DAT 72			
DAT 160			
DAT 320			
1U USB Rack-Mount Kit			
<b>HP SAS Tape Drives</b>	External	HP Smart Array P212/ZM 1-ports Int/1-ports Ext PCIe x8 SAS Controller	462828-B21
DAT 160			
DAT 320			
LTO-2 Ultrium 448			
LTO-3 Ultrium 920			

# QuickSpecs

## HP ProLiant DL980 Generation 7 (G7)

### Storage

LTO-4 Ultrium 1760

LTO-4 Ultrium 1840

LTO-5 Ultrium 3000

LTO-5 Ultrium 3280

1U Rack-Mount Kit

3U Rack-Mount Kit

#### HP SAS Tape Autoloaders and Libraries

1/8 G2 Autoloader

MSL2024

MSL4048

MSL8096

External

HP Smart Array P212/ZM 1-ports Int/1-ports Ext PCIe x8 SAS Controller

462828-B21

#### HP USB RDX Removable Disk Backup System

RDX160

RDX320

RDX500

RDX750

External

USB 2.0 port

N/A

#### HP D2D Backup Systems, iSCSI

D2D2500i

D2D4000i

External

Embedded Network Controller. If the server requires a hardware iSCSI initiator, the QLogic QLA4050 Host Bus Adapter is recommended.

#### HP D2D Backup Systems, Fibre Channel

D2D4000fc

External

Direct server attach is not supported, requires connection via SAN fabric. See: <http://www.hp.com/storage/SPOCK>

# QuickSpecs

## HP ProLiant DL980 Generation 7 (G7)

### Power Specifications

<b>HP DL980 1200W Common Slot Platinum Hot Plug Power Supply Kit</b>					
Part Number	AM470A				
Input Voltage Range ( V rms )	200 to 240				
Frequency Range (Nominal) ( Hz )	50/60				
Nominal Input Voltage ( Vrms )	<b>200</b>	<b>208</b>	<b>220</b>	<b>230</b>	<b>240</b>
Maximum Rated Output Wattage Rating	1200	1200	1200	1200	1200
Nominal Input Current ( A rms )	6.7	6.5	6.1	5.8	5.6
Maximum Rated Input Wattage Rating ( Watts )	1290	1290	1290	1290	1290
Maximum Rated VA ( Volt-Amp )	1345	1345	1345	1345	1345
Efficiency ( % )	93	93	93	93	93
Power Factor	0.97				
Leakage Current ( mA )	0.83	0.87	0.92	0.96	1.00
Maximum Inrush Current ( A peak )	30				
Maximum Inrush Current duration ( mS )	10				
Maximum British Thermal Unit Rating ( BTU-Hr )	4403	4403	4403	4403	4403

To review typical system power ratings use the HP Power Advisor which is available via the online tool located at URL: [www.hp.com/go/proliant-energy-efficient](http://www.hp.com/go/proliant-energy-efficient) or [www.hp.com/go/hppoweradvisor](http://www.hp.com/go/hppoweradvisor)

# QuickSpecs

## HP ProLiant DL980 Generation 7 (G7)

### Technical Specifications

<b>System Unit Rack</b>	<b>Dimensions</b> (H x W x D) (with bezel and XNC cables installed)	13.92 x 19.0 x 34.5 in (35.36 x 48.26 x 87.63 cm)		
	<b>Weight</b> (approximate)	Maximum (all hard drives, power supplies, and processors installed)	205 lb (93 kg)	
		Minimum (one hard drive, power supply, and processor installed)	165 lb (75 kg)	
	<b>Input Requirements</b> (per power supply)	Rated Line Voltage	200 - 240 VAC	
		Rated Input Current	6.6A @ 200-240VAC	
		Rated Input Frequency	50 - 60 Hz +/- 3hz	
		Rated Input Power	1375W @ 200-240VAC	
	<b>BTU Rating</b>	Maximum	14,330 BTU/hr (worst case configuration and utilization)	
	<b>Power Specifications</b>	Maximum	4200 W (worst case configuration and utilization)	
			<p><b>NOTE:</b> To review typical system power ratings use the HP Power Advisor which is available online located at url: <a href="http://www.hp.com/go/proliant-energy-efficient">www.hp.com/go/proliant-energy-efficient</a> or <a href="http://www.hp.com/go/hppoweradvisor">www.hp.com/go/hppoweradvisor</a></p> <ul style="list-style-type: none"> <li>- Click on the system of interest. Example: DL980 G7</li> <li>- Follow the instructions of the next screens.</li> </ul>	
<b>Power Supply Output</b> (per power supply)	Rated Steady-State Power	1200W @ 200 - 240VAC		
	Maximum Peak Power	1440W @ 200 - 240VAC		
<b>System Inlet Temperature</b>	Operating	10° to 35°C (50° to 95°F) at sea level with an altitude derating of 1.0°C per every 305 m (1.8°F per every 1000 ft) above sea level to a maximum of 3050 m (10,000 ft), no direct sustained sunlight. Maximum rate of change is 10°C/hr (18°F/hr). The upper limit may be limited by the type and number of options installed. System performance may be reduced if operating with a fan fault or above 30°C (86°F).		
	Non-operating	-30° to 60°C (-22° to 140°F). Maximum rate of change is 20°C/hr (36°F/hr).		
<b>Relative Humidity</b> (non-condensing)	Operating	10 to 90% relative humidity (Rh), 28°C (82.4°F) maximum wet bulb temperature, non-condensing.		
	Non-operating	5 to 95% relative humidity (Rh), 38.7°C (101.7°F) maximum wet bulb temperature, non-condensing.		
<b>Altitude</b>	Operating	3050 m (10,000 ft). This value may be limited by the type and number of options installed. Maximum allowable altitude change rate is 457 m/min (1500 ft/min).		
	Non-operating	9144 m (30,000 ft). Maximum allowable		

## Technical Specifications

		altitude change rate is 457 m/min (1500 ft/min).
<b>Acoustic Noise</b>		Listed are the declared A-Weighted sound power levels (LWAd) and declared average bystander position A-Weighted sound pressure levels (LpAm) when the product is operating in a 23°C ambient environment. Noise emissions were measured in accordance with ISO 7779 (ECMA 74) and declared in accordance with ISO 9296 (ECMA 109).
	Idle	
	L WAd	7.5 Bels
	L pAm	59.7 dB
	Operating	
	L WAd	7.5 Bels
	L pAm	59.7 dB
<b>Emissions Classification (EMC)</b>	<b>FCC Rating</b>	Class A
	<b>Normative Standards</b>	CISPR 22; EN55022; EN55024; FCC CFR 47, Pt 15; ICES-003; CNS13438; GB9254; K22;K24; EN 61000-3-2; EN 61000-3-3; EN 60950-1; IEC 60950-1
		<b>NOTE:</b> Product conformance to cited product specifications is based on sample (type) testing, evaluation, or assessment. This product or family of products is eligible to bear the appropriate compliance logos and statements.

<b>Integrated Lights-Out 3 Standard (integrated on system board)</b>	<b>Architecture</b>	PCI Express based health and remote management ASIC
	<b>Processor</b>	PCI Express RISC processor core running at 250MHz
	<b>Upgradeability</b>	Option firmware upgradeable via flash ROM
	<b>Video Support</b>	1600 x 1200 DVR max resolution
	<b>Interfaces</b>	One Ethernet Sideband connection (10/100/1000 Mb/s)
		One Ethernet network connection (10/100 Mb/s)
	<b>Memory</b>	128-MB DDR with ECC
	<b>Operating System Support</b>	Microsoft Windows Server 2008 R2 Enterprise Edition (64 bit)
		Microsoft Windows Server 2008 Enterprise Edition (64 bit)
		Red Hat Enterprise Linux 5.5 (64 bit)
SUSE LINUX Enterprise Server 11 (64 bit)		
SUSE LINUX Enterprise Server 10 (64 bit)		
<b>Client System Support</b>	VMware ESX 4.1	
	Microsoft Windows 7	
	Microsoft Windows XP Professional Edition	
	Microsoft Windows Vista Business and Ultimate Editions	
	Red Hat Enterprise Desktop 5.00	
<b>Client Browser Support</b>	SUSE Linux Enterprise Desktop 11	
	SUSE Linux Enterprise Desktop 10	
	Microsoft Internet Explorer 8	
	Microsoft Internet Explorer 7	
	Microsoft Internet Explorer 6	
	Firefox 3.5 (on supported Windows and Linux systems)	
	Firefox 3.0 (on supported Windows and Linux systems)	



## Technical Specifications

<b>Command Line Support</b>	Secure Shell and serial port access Secure Socket Layer Secure Shell version 2
<b>Security</b>	Advanced Encryption Standard (AES) and Triple Data Encryption Standard (3DES) on browser, CLP and XML scripting interface AES encryption of video RC4 encryption of video
<b>Directory Support Services</b>	Active Directory v1.0 (Windows 2003)
<b>Driver Support</b>	HP ProLiant iLO 3 Management Controller Driver
<b>Management protocols supported</b>	SNMP, IPMI 2.0 (system and LAN interface), DMTF Systems Management Architecture for Server Hardware Command Line Protocol (SMASH CLP), HP RIBCL XML

<b>Smart Array P410i Controller</b>	<b>Disk Drive and Enclosure Interface</b>	6Gb/s SAS (Serial Attached SCSI)
	<b>SAS Connectors</b>	2 internal (mini SAS) x8 wide port connectors
	<b>Cache Memory Speed</b>	DDR2-800MHz with 40 or 72-bit wide bus provides up to 4.2GB/s maximum bandwidth
	<b>Server Interface</b>	x4 PCIe provides 2GB/s maximum bandwidth.
	<b>SAS Speed</b>	x8 6G SAS provides 4.8GB/s maximum bandwidth.
	<b>Cache Memory</b>	72-bit 512MB or 1GB Flash backed write cache transportable with flash upgrade.
	<b>Logical Drives Supported</b>	Up to 64 logical drives
	<b>Maximum Logical Drive Capacity</b>	Greater than 2TB
	<b>Host Memory Addressing</b>	64-bit, supporting greater than 4GB server memory space
	<b>RAID Support</b>	RAID 6, 6+0 (Advanced Data Guarding) <b>NOTE:</b> RAID 6, 6+0 can be enabled with either: <ul style="list-style-type: none"> <li>Minimum of 512MB FBWC and Smart Array Advanced Pack License Key option upgrades</li> </ul> RAID 5, 5+0 (Distributed Data Guarding) <b>NOTE:</b> A minimum of 512MB FBWC is required to enable RAID 5, 5+0 support of the Smart Array P410i RAID 1+0 (Striping & Mirroring) RAID 0 (Striping)

<b>HP ProLiant DL980 NC375i SPI Board</b>	<b>Network Interface Compatibility</b>	10Base-T/100Base-TX/1000Base-TX IEEE 802.3 10Base-T IEEE 802.3ab 1000Base-T IEEE 802.3u 100Base-TX IEEE 802.3ad 1000Base-TX IEEE 802.1p 100Base-TX IEEE 802.1q 100Base-TX
	<b>Data Transfer Method Controller</b>	PCI-Express 2.0 (x8) Qlogic/NetXen NX3031

# QuickSpecs

## HP ProLiant DL980 Generation 7 (G7)

### Technical Specifications

<b>Network Transfer Rate</b>	10Base-T (Full-Duplex)	20 Mb/s
	100Base-TX (Full-Duplex)	200 Mb/s
	1000Base-TX (Full-Duplex)	2000 Mb/s
<b>Connector</b>	RJ-45	
<b>Cable Support</b>	10Base-T	Categories 3, 4, or 5 UTP; up to 328 ft (100 m)
	100Base-TX	Category 5 or higher UTP; up to 328 ft (100 m)
	1000Base-TX	Category 5 or higher UTP; up to 328 ft (100 m)

<b>HP ProLiant DL980 331i SPI Board</b>	<b>Network Interface Compatibility</b>	10Base-T/100Base-TX/1000Base-TX IEEE 802.3 10Base-T IEEE 802.3ab 1000Base-T IEEE 802.3u 100Base-TX IEEE dynamic 802.3ad 1000Base-TX IEEE 802.3x IEEE 802.3az IEEE 1588 IEEE 802.1as IEEE 802.1Q 100Base-TX	
	<b>Data Transfer Method</b>	Four lane (x4) PCI Express compatible with x4, x8, and x16 PCI Express slots	
	<b>Controller</b>	Broadcom BCM5719 chipset	
	<b>Network Transfer Rate</b>	10Base-T (Full-Duplex)	20 Mb/s
		100Base-TX (Full-Duplex)	200 Mb/s
		1000Base-TX (Full-Duplex)	2000 Mb/s
	<b>Connector</b>	RJ-45	
	<b>Cable Support</b>	10Base-T	Categories 3, 4, or 5 UTP; up to 328 ft (100 m)
		100Base-TX	Category 5 or higher UTP; up to 328 ft (100 m)
		1000Base-TX	Category 5 or higher UTP; up to 328 ft (100 m)

<b>Environment-friendly Products and Approach</b>	<b>End-of-life Management and Recycling</b>	Hewlett-Packard offers end-of-life HP product return, trade-in, and recycling programs in many geographic areas. For trade-in information, please go to: <a href="http://www.hp.com/go/green">http://www.hp.com/go/green</a> . To recycle your product, please go to: <a href="http://www.hp.com/go/green">http://www.hp.com/go/green</a> or contact your nearest HP sales office. Products returned to HP will be recycled, recovered or disposed of in a responsible manner.
---	---	--

The EU WEEE directive (2002/95/EC) requires manufacturers to provide treatment information for each product type for use by treatment facilities. This information (product disassembly instructions) is posted on the Hewlett Packard web site at: <http://www.hp.com/go/green>. These instructions may be used by recyclers and other WEEE treatment facilities as well as HP OEM customers who integrate and re-sell HP equipment.

# QuickSpecs

## HP ProLiant DL980 Generation 7 (G7)

### Summary of Changes

Date	Version History	Action	Description of Change:
30-Mar-2015	From Version 42 to 43	Changed	Core Options and Storage sections were updated
		Added	Skus Added: <ul style="list-style-type: none"> <li>785079-B21</li> <li>785075-B21</li> <li>785073-B21</li> <li>785071-B21</li> <li>779162-B21</li> <li>779166-B21</li> </ul>
		Removed	Skus deleted: <ul style="list-style-type: none"> <li>619291-B21</li> <li>581286-B21</li> <li>507127-B21</li> </ul>
09-Feb-2015	From Version 41 to 42	Added	Skus Added on Hard Drives: <ul style="list-style-type: none"> <li>785079-B21</li> <li>785075-B21</li> <li>785073-B21</li> <li>785071-B21</li> <li>741144-B21</li> <li>741140-B21</li> <li>741136-B21</li> <li>741157-B21</li> <li>741153-B21</li> <li>741148-B21</li> <li>756666-B21</li> <li>756651-B21</li> <li>756630-B21</li> <li>756611-B21</li> </ul>
		Removed	Obsolete skus removed: <ul style="list-style-type: none"> <li>DC172B</li> <li>608447-B21</li> <li>UV301E</li> <li>UV298E</li> <li>UV292E</li> <li>UX131E</li> <li>UX132E</li> <li>UX133E</li> <li>AH627A</li> </ul>
01-Nov-2014	From Version 40 to 41	Changed	Service and Support section was updated
18-Apr-2014	From Version 39 to 40	Changed	Service and Support, Core Options, Additional Options, Memory, and Storage were revised.
18-Feb-2014	From Version 38 to 39	Changed	Memory, Storage Controllers, and Storage Options were revised.
23-Sep-2013	From Version 37 to 38	Changed	Corrected a spelling error in the What's New section.
05-Sep-2013	From Version 36 to 37	Changed	Updated made in the Storage Controllers section of Additional Options.
28-Jun-2013	From Version 35 to 36	Added	HP P421 Smart Array Controllers were added to HP Storage Controllers  HP StoreFabric SN1000Q 16Gb Single Port and Dual Port Fibre Channel Host Bus Adapters were added to HP Storage Options
01-Mar-2013	From Version 34 to 35	Changed	Updated the Overview Section, Standard Features and Additional Options Sections.
28-Dec-2012	From Version 33 to 34	Removed	Standard Features: in Interfaces removed note and URL
04-Dec-2012	From Version 32 to 33	Changed	Changes made throughout the QuickSpec.
25-Sep-2012	From Version 31 to 32	Changed	Changes made throughout the QuickSpec.
24-Sep-2012	From Version 30 to 31	Changed	Changes made in Optional Features section.
27-Aug-2012	From Version 29 to 30	Changed	Changes made in Overview, Standard Features, Core Options and Additional Options sections

# QuickSpecs

## HP ProLiant DL980 Generation 7 (G7)

### Summary of Changes

20-Jul-2012	From Version 28 to 29	Changed	Changes made throughout the QuickSpec.
18-May-2012	From Version 27 to 28	Changed	Changes made in the Standard Features, Configuration Information and Core Options sections.
06-Mar-2012	From Version 26 to 27	Changed	Changed a link in the Hard Drives section of Core Options.
10-Feb-2012	From Version 25 to 26	Changed	Changes made in the Models, Configuration Information and Core Options sections.
01-Feb-2012	From Version 24 to 25	Changed	Changes made in the Configuration Information and Core Options sections.
13-Jan-2012	From Version 23 to 24	Changed	URL was revised in Tape and Disk Backup and HP Slim SATA DVD RW Optical Drive was removed from Technical Specifications.
17-Nov-2011	From Version 22 to 23	Changed	A correction was made in Hard Drives.
14-Nov-2011	From Version 21 to 22	Changed	Memory, Hard Drives and Power Supplies were revised.
28-Oct-2011	From Version 20 to 21	Changed	Expansion Slot Restrictions was revised in Standard Features  Oracle Linux was added to Operating Systems and Virtualization Software Support for ProLiant Servers  HP NC364T PCI-E Quad Port Gigabit Server was removed from HP Networking  HP SC08Ge 2-ports Ext PCIe x8 SAS Host Bus Adapter was removed from HP Storage Controllers  HP CN1100E Dual Port Converged Network Adapter was removed from HP Storage Options
10-Oct-2011	From Version 19 to 20	Removed	HP CN1000Q Dual Port Converged Network Adapter was removed from HP Storage Options.
28-Sep-2011	From Version 18 to 19	Changed	Processor descriptions were revised.
26-Sep-2011	From Version 17 to 18	Changed	Product descriptions were revised throughout Additional Options.
29-Jul-2011	From Version 16 to 17	Changed	Hard Drive descriptions were revised.
22-Jun-2011	From Version 15 to 16	Added	Hot Plug SFF SAS SSD maximum internal storage was added  6G SAS Hot Plug Enterprise Performance Solid State Drives were added to Hard Drives  HP NC552SFP 10Gb 2-port Ethernet Server Adapter was added to HP Networking  HP R1500 G3 Uninterruptible Power Supply (UPS) and HP R/T3000 G2 Uninterruptible Power Systems (UPS) were added to HP Uninterruptible Power System
18-May-2011	From Version 14 to 15	Changed	Processor descriptions were revised
13-May-2011	From Version 13 to 14	Removed	Removed PN 627814-B21 from the three Memory sections.
11-May-2011	From Version 12 to 13	Changed	Processor descriptions were revised  Dynamic Device Data Correction (Intel Xeon E7 Family) was added to Memory Protection  HP 4GB Single Rank x4 PC3L-10600 Registered CAS-9 Low Power Memory Kit and HP 8GB Dual Rank x4 PC3L-10600 Registered CAS-9 Low Power Memory Kit were added to

# QuickSpecs

## HP ProLiant DL980 Generation 7 (G7)

### Summary of Changes

			Memory HP DL980 (E7) CPU Installation Assembly was added to HP Unique Options
09-May-2011	From Version 11 to 12	Added	What's New was added to the Overview  Ten-Core Processors and Intel Xeon E7-2830 and E7-4807 were added to Processors  30MB Level 3 cache was added to Cache Memory  HP ProLiant DL980G7 Configure-to-order Server model AM451A was added to Step 1  HP 16GB Dual Rank x4 PC3L-10600 Registered CAS-9 LP Memory Kit, HP 32GB Quad Rank x4 PC3L-8500 Registered CAS-7 LP Memory Kit and HP DL580G7/DL980G7 (E7) Memory Cartridge were added to Memory
13-Apr-2011	From Version 10 to 11	Removed	10Base-T, 100Base-TX and 1000Base-Tx (Half-Duplex) Network Transfer Rates were removed from Network NC375i Integrated Quad Port Multifunction Gigabit Server Adapter.
05-Apr-2011	From Version 9 to 10	Changed	Maximum Internal Storage was increased to 4.8TB  Service and Support was completely revised  Models, Unique Options, HP I/O Expansion Options and Power Supplies product descriptions were revised  Part numbers were changed for HP Cluster Management Utility Compute node Flexible License and HP High Performance Computing Linux Value Pack 1 Processor Flexible License in High Performance Clusters  Brocade Fibre Channel HBAs was added to HP StorageWorks Options
14-Feb-2011	From Version 8 to 9	Changed	Fully Buffered was changed to Registered throughout Memory descriptions  Eight-Core Processors, HP DL580G7/DL980G7 Memory Cartridge, HP Tape Backup, HP StorageWorks Options and HP Uninterruptible Power Systems product descriptions were revised  HP 1.2TB MLC PCIe ioDrive Duo was added to HP I/O Accelerator Options  HP StorageWorks D2D4009i Backup System and HP StorageWorks RDX750 Internal Removable Disk Backup System were removed from HP Disk Backup  HP Modular Power Distribution Units (mPDU), High Volt Model, 24A (200-240 VAC) and 8.3kVA Model - mPDU, 40A, High (power cord attached) were removed from HP Power

# QuickSpecs

## HP ProLiant DL980 Generation 7 (G7)

### Summary of Changes

			Distribution Units
10-Jan-2011	From Version 7 to 8	Changed	<p>Expansion Slot Restrictions was added to Expansion Slots</p> <p>HP 450GB and 600GB 6G SAS 10K rpm SFF Dual Port Enterprise Drives and SATA Hot Plug Midline (MDL) Solid State Drives were added to Hard Drives</p> <p>HP NC523SFP 10Gb 2-port Server Adapter was added to HP Networking</p> <p>HP I/O Accelerator Options was added to Additional Options</p> <p>HP CN1000Q 2P Converged Network Adapter was added to HP StorageWorks Options</p>
17-Dec-2010	From Version 6 to 7	Changed	Changes made to the descriptions of some of the processors in Step 2 and the Core Options section.
23-Nov-2010	From Version 5 to 6	Changed	Smart Array P812 Controller product description was revised.
15-Nov-2010	From Version 4 to 5	Added	<p>HP Management DVD and HP ProLiant Update Firmware DVD were added to HP Insight management software</p> <p>High Performance Clusters was added to Optional Features and Additional Options</p> <p>SATA Hot Plug Midline (MDL) Solid State Drives were added to HP Hard Drives</p> <p>Note was added to HP InfiniBand and HP Power Supplies</p> <p>HP 10642G2 and 10647G2 1200mm deep Rack cabinet Shock Rack were added to HP Rack Series</p>
12-Oct-2010	From Version 3 to 4	Added	HP Optical Drives was added to Step 2 and support for up to 4 (225W) or 3 (300W) Graphics Cards was added to HP Graphics Options.
05-Oct-2010	From Version 2 to 3	Changed	<p>Introduction was added and At A Glance was removed from the Overview</p> <p>Storage was changed to Internal Storage Devices and Diskette Drive was added in Standard Features</p> <p>Interfaces, Power Supply and Operating Systems and Virtualization Software Support for ProLiant Servers was revised in Standard Features</p> <p>HP Insight software management, Factory Express Portfolio for Servers and HP Enterprise Configurator were moved to Optional Features</p> <p>Models was changed to Pre-configured Models and completely revised</p> <p>PCI-X/PCI Express I/O Exp. Kit description was revised in HP Unique Options and HP I/O Expansion Options</p>

# QuickSpecs

## HP ProLiant DL980 Generation 7 (G7)

### Summary of Changes

			<p>Storage Controller descriptions were revised</p> <p>Note was added to Processors, Cache Memory, Chipset, Network Controller and Upgradeability in Standard Features, the beginning of Additional Options and HP Graphics Options, HP Security-TPM, HP Uninterruptible Power Systems, HP Power Distribution Units and HP Rack Options in Additional Options</p> <p>Flash Backed Write Cache was added to Storage Controllers in Standard Features</p> <p>Warranty was added to Standard Features</p> <p>Service and Support was added</p> <p>Storage Data Protection, Availability, Serviceability, Security Trusted Platform Module, UPS and PDU Power Cord Matrix, Rack Airflow Requirements and Telco Rack Support were removed from Standard Features</p>
23-Aug-2010	From Version 1 to 2	Changed	Text correction made in the At A Glance section.

© Copyright 2015 Hewlett-Packard Development Company, L.P.

The information contained herein is subject to change without notice.

Microsoft and Windows NT are US registered trademarks of Microsoft Corporation. Unix is a registered trademark of The Open Group.

Intel, the Intel logo, Xeon and Xeon Inside are trademarks of Intel Corporation in the U.S. and other countries.

The only warranties for HP products and services are set forth in the express warranty statements accompanying such products and services. Nothing herein should be construed as constituting an additional warranty. HP shall not be liable for technical or editorial errors or omissions contained herein.

For hard drives, 1GB = 1 billion bytes. Actual formatted capacity is less.