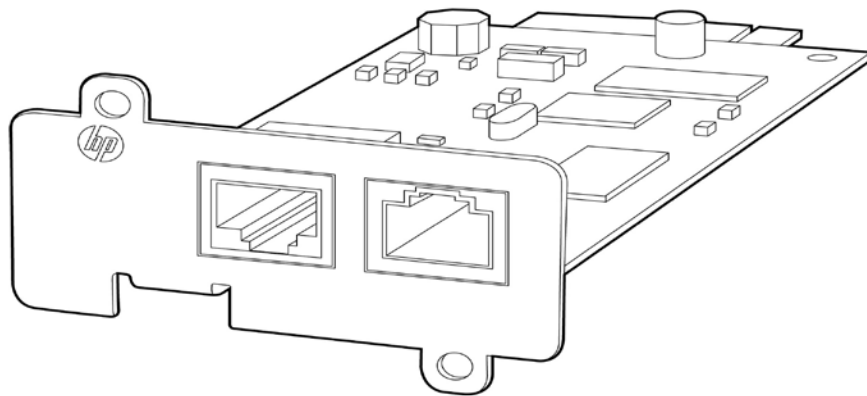


Overview

HPE UPS Network Module

The new HPE UPS Network Module allows an HPE Uninterruptible Power System (UPS) to be directly connected to the network for remote monitoring and management of either a single UPS, or two UPSs in a redundant configuration. The UPS Network Module works with the **HPE Power Protector** clients and can be configured to send alert traps to HPE Systems Insight Manager and other SNMP management programs or used as a standalone management system. This flexibility enables you to monitor and manage UPSs through the network. To facilitate day-to-day maintenance tasks, the embedded management software provides detailed system logs.



Models

HPE UPS Network Module Mini-slot Kit

AF465A

Kit Contents

- Installation Guide
- Warranty Card
- Option Card
- RS-232 to RJ45 cable

Standard Features

HPE UPS Network Module

The HPE UPS Network Module enables you to configure, monitor and manage power environments through comprehensive control of individual HPE UPSs.

Access the management module:

- Remotely through a Web browser
- Locally through a terminal emulation program

The UPS Network Module can be configured to send alert traps to HPE Systems Insight Manager and other SNMP management programs or used as a standalone management system. This flexibility enables you to monitor and manage the UPS through the network connector; the serial connector located on the front of the management module is only used for configuration. To facilitate day-to-day maintenance tasks, the firmware provides detailed system logs.

Use the management module firmware to:

- Customize alerts
 - Send email notification messages
 - Send SNMP traps
- Monitor and manager UPSs
 - Manage independent UPS load segments to provide separate power control of connected equipment
 - Display text logs for analysis

Product Features

- Easy monitoring and management of UPS using web browser.
- Remote monitoring and control of UPS and attached devices.
- Real-time email alarm notification
- Support for standard HPE MIB
- SSL data encryption and authentication
- Monitors the status of the UPS
- Manages a graceful shutdown of attached equipment during a utility power failure
- Manages independent UPS load segments to provide separate power control of connected equipment
- Prioritizes the timing of equipment shutdown and reboots connected equipment by load segment
- Delays restart by load segment after a power outage to sequence the startup of system components
- Shuts down and reboots the UPS and attached equipment, based on an user specified schedule
- Sends customized email and broadcast notification messages and SNMP traps
- Issues computer commands at power failure
- Displays logs for analysis
- Supports a redundant UPS configuration
- Includes multi-language support
- Supports network attached server communications
- Supports a customizable Events script

Highlights

Use HPE Systems Insight Manager to:

Standard Features

- Discover HPE UPS Network Modules. As part of the discovery process, HPE SIM can detect an installed HPE UPS Management Card the web interface for the discovered module can be launched from the HPSIM Servers Links tab.
- Receive SNMP traps from the management module. The module can send event-based traps to HPSIM that include a URL in the trap. This functionality enables administrators to easily launch the web interface of the module in context. For example, if the management module detects an alarm condition, the module can send a trap to HPE SIM with an attached hyperlink that routes users directly to the Overview screen for the attached UPS.
 - Conveniently launch the management module web interface from within HPE SIM. Tools menu-Users can add a link to the web interface on the HPE SIM Tools menu using a tools definition file.
 - Event-based trap-A URL is included in each trap to link directly from HPE SIM to the Overview screen for the specific device for which the trap was sent.

Security

- Control functions on the UPS Network Module can only be accessed using an Administrator password, which should be kept properly secured.
- Browsing to the UPS Network module can be done using SSL, which encrypts the data between the browser and management module. The module is supported by a 128-bit encryption level. SSL also provides authentication of the management module by means of its digital certificate. Securely importing this certificate must be done to ensure the identification of the management module.

HPE Care Pack Information

For HPE Care Pack (hardware & software) information, as well as orderable part numbers, please refer to the following web site: <http://h18005.www1.hp.com/services/carepack/index.html>

Warranty

HPE UPS Network Modules are backed by a limited 3-year warranty

Web Interface Requirements

Operating System	Service Pack	Platform x86	Platform x64	Platform IA64
Windows				
Windows Server 2012 Standard			x	
Windows Server 2011 Standard			x	
Windows Server 2008 R2 - Enterprise Edition, DataCenter, Standard	SP1		x	x
Windows Server 2008 - Enterprise Edition, DataCenter, Standard	SP2		x	x
Windows Server 2003 R2 - Enterprise Edition, DataCenter, Standard	SP2	x	x	
Windows Server 2003 - Enterprise Edition, DataCenter, Standard	SP1	x		x
Windows Small Business Server 2011			x	
Windows Small Business Server 2008			x	
Windows Small Business Server 2008	SP2	x	x	
Windows Small Business Server 2003 R2 Premium				
Windows 8 - Enterprise, Premium, Professional, Ultimate, Basic		x	x	
Windows 7 - Enterprise, Premium, Professional, Ultimate, Basic	SP1		x	
Windows Vista - Enterprise, Ultimate, Business	SP2	x	x	
Windows XP Professional	SP3	x		
Linux				
Red Hat Enterprise Linux 6	U1	x	x	
Red Hat Enterprise Linux 6	U2	x	x	
Red Hat Enterprise Linux 6	U3	x	x	
Red Hat Enterprise Linux 5	U6	x	x	x
Red Hat Enterprise Linux 5	U7	x	x	
Red Hat Enterprise Linux 5	U8	x	x	x
Red Hat Enterprise Linux Base Server 5	U4	x	x	x
Red Hat Enterprise Linux Advanced Platform 5	U4	x	x	x
SUSE Linux Enterprise Server 11	SP2	x	x	x
SUSE Linux Enterprise Server 11	SP1	x	x	x
SUSE Linux Enterprise Server 10	SP4	x	x	x
Fedora Core 15		x	x	
Fedora Core 14		x	x	
OpenSuse 11	U4	x	x	
OpenSuse 11	U2	x	x	
Debian 6 (Squeeze)		x	x	
Debian 6 (Lenny)		x	x	
Ubuntu 11.04		x	x	
Ubuntu 10.10		x	x	
Ubuntu 11.04 LTS		x	x	

HPE-UX

Web Interface Requirements

HP-UX 11i v3

HP-UX 11i v2

VMware

vSphere Hypervisor ESX 4.1	U2	x
vSphere Hypervisor ESXi 4.1	U2	x
vSphere Hypervisor ESXi 4.0	U4	x
vSphere Hypervisor ESXi 4.0	U4	x
vSphere Hypervisor ESXi 5.0	U1	x
vSphere Hypervisor ESXi 5.1		x

Microsoft Hyper V (HPPP Client Only)

Hyper V Server 2008 R2		x
Hyper V Server 2008		x

Xen

Citrix XenServer 6.0		x	x
Citrix XenServer 5.6		x	x
OpenSource Xen2.6 on RHEL 5			x
OpenSource Xen3.2 on Debian 5			x

KVM

KVM 0.12.1.2 on RHEL 6 and Debian 5			x
-------------------------------------	--	--	---

Browsers

Windows Internet Explorer 7, 8, and 9		x	x
HP-UX Firefox 2.0.0.x			
Linux Firefox 3.5.x (Native to Linux)		x	x
Windows Firefox 11		x	x
Windows Firefox 4		x	x
Windows Firefox 3.6.15		x	x
Chrome 10.x		x	x
Opera 11		x	x

UPS Hardware Support

Supported UPS	Availability	VA Rating	Watts	U Height	Load Seg.	UPS Part Numbers
R1500 G3	Yes	1140	1050	1	2	AF469A, AF470A, AF471A
R/T3000 G2 High Volt	Yes	3300	3000	2	2	AF467A, AF468A

Service and Support

Service and Support

HPE Technology Services

HPE Technology Services offers you consultants and support experts to solve your most complex infrastructure problems. We help keep your business running, boost availability and avoid downtime.

Protect your business beyond warranty with HPE Care Pack Services

When you buy HPE Options, it's also a good time to think about what level of service you may need. HPE Care Pack services provide total care and support expertise with committed response choices designed to meet your IT and business need.

Recommended HPE Care Pack Services for optimal satisfaction with your HPE product

Recommended Services **3-Year HPE 24x7 4 hour Response, Hardware Support Onsite Service**

Provides you with rapid remote support and if required an Hewlett Packard Enterprise Authorized representative who will arrive on site any time and day of the year to begin hardware maintenance service within 4 hours of the service request being logged.

<https://www.hpe.com/h20195/v2/getpdf.aspx/5982-6547eee>

HPE ProLiant Server Hardware Installation

Provides for the basic hardware installation of Hewlett Packard Enterprise branded servers, storage devices and networking options to assist you in bringing your new hardware into operation in a timely and professional manner

<https://www.hpe.com/h20195/v2/getpdf.aspx/5981-9356en>

Related HPE Care Pack Services to enhance your HPE product experience

Related Services

3-Year HPE 6 hour Hardware Support Onsite Call-to-Repair Service

Provides an IT manager with a team of support specialists who will quickly begin troubleshooting the system to help return the hardware to operating condition within 6 hours of the initial service request to the HPE Global Solution Center

<https://www.hpe.com/h20195/v2/getpdf.aspx/5981-6636enn>

HPE Proactive Select Service

Provides a flexible way to purchase HPE best-in-class consultancy and technical services. You can buy Proactive Select Service Credits when you purchase your hardware and then use the credits over the next 12 months. <https://www.hpe.com/h20195/v2/getpdf.aspx/4aa2-3842enn>

Insight Remote Support

Delivers secure remote monitoring and support for Hewlett Packard Enterprise servers and storage, 24x7 at no additional cost. Available as part of HPE Warranty, Care Pack and Service Contract offers.

Parts and materials

Hewlett Packard Enterprise will provide HPE-supported replacement parts and materials necessary to maintain the covered hardware product in operating condition, including parts and materials for available and recommended engineering improvements. Supplies and consumable parts will not be provided as part of this service; standard warranty terms and conditions apply. Parts and components that have exceeded their maximum supported lifetime and/or the maximum usage limitations as set forth in the manufacturer's operating manual or the technical product data sheet will not be provided, repaired or replaced as part of this service.

Coverage

For ProLiant servers and storage systems, this service covers HPE-branded hardware options qualified for the server, purchased at the same time or afterward, internal to the enclosure, as well as external monitors up to 22" and tower UPS products; these items will be covered at the same service level and for the same coverage period as the server unless the maximum supported lifetime and/or the maximum usage limitation has been exceeded. Coverage of the UPS battery is not included; standard warranty terms and conditions apply.

The defective media retention service feature option applies only to Disk or eligible SSD/Flash Drives replaced by HPE due to malfunction. It does not apply to any exchange of Disk or SSD/Flash Drives that have not failed. SSD/Flash Drives that are specified by HPE as consumable parts and/or that have

Service and Support

exceeded maximum supported lifetime and/or the maximum usage limit as set forth in the manufacturer's operating manual or the technical data sheet are not eligible for the defective media retention service feature option.

For more information

To learn more on services for HPE ESSN Options, please contact your Hewlett Packard Enterprise sales representative or Hewlett Packard Enterprise Authorized Channel Partner. Or visit:
<http://www.hp.com/services/proliant> or <http://www.hp.com/services/bladestystem>

Technical Specifications

Mechanical Dimensions (WxHxD)	5.1 x 2.4 x 1.6 inches (130 x 60 x 40 mm)
Unit Weight	1.0 lb (.46 kg)
Shipping Dimensions (WxHxD)	8.5 x 2.3 x 9.7 in (21.59 x 5.84 x 24.62 cm)
Shipping Weight	2.0 lb (.92 kg)
Operating Temperature	50° to 104° F (10° to 40° C)
Operating Relative Humidity (%)	20% to 80 % relative humidity non-condensing
Operating Elevation	0 to 10,000 ft (0 to 3048 m)
Storage Temperature	-4° to 140° F (-20° to 60° C)
Storage Relative Humidity (%)	5% to 95 % relative humidity non-condensing
Storage Elevation	0 to 49,000 ft (0 to 14935 m)

Environment-friendly Products and Approach	End-of-life Management and Recycling	Hewlett Packard Enterprise offers end-of-life Hewlett Packard Enterprise product return, trade-in, and recycling programs in many geographic areas. For trade-in information, please go to: http://www.hp.com/go/green . To recycle your product, please go to: http://www.hp.com/go/green or contact your nearest Hewlett Packard Enterprise sales office. Products returned to Hewlett Packard Enterprise will be recycled, recovered or disposed of in a responsible manner.
---	---	---

The EU WEEE directive (2002/95/EC) requires manufacturers to provide treatment information for each product type for use by treatment facilities. This information (product disassembly instructions) is posted on the Hewlett Packard Enterprise web site at: <http://www.hp.com/go/green>. These instructions may be used by recyclers and other WEEE treatment facilities as well as HPE OEM customers who integrate and re-sell Hewlett Packard Enterprise equipment.

Summary of Changes

Date	Version History	Action	Description of Change
14-Oct-2016	From Version 7 to 8	Changed	Rebranding Edition
22-Oct-2015	From Version 6 to 7	Changed	Overview section was revised.
18-Nov-2012	From Version 5 to 6	Changed	Updated the Operating Systems chart.
14-Jun-2012	From Version 4 to 5	Changed	Revisions made in the Web Interface Requirements section.
05-Apr-2012	From Version 3 to 4	Changed	VMware was revised in Web Interface Requirements.
01-Sept-2011	From Version 2 to 3	Changed	Client Operating System Support chart was revised in Web Interface Requirements.
31-Jul-2011	From Version 1 to 2	Changed	Changes made in the Standard Features and Web Interface Requirements sections.



Sign up for updates



**Hewlett Packard
Enterprise**

© Copyright 2016 Hewlett Packard Enterprise Development LP. The information contained herein is subject to change without notice. The only warranties for Hewlett Packard Enterprise products and services are set forth in the express warranty statements accompanying such products and services. Nothing herein should be construed as constituting an additional warranty. Hewlett Packard Enterprise shall not be liable for technical or editorial errors or omissions contained herein.

c04111557 - 14065 - Worldwide - V8 - 14-October-2016