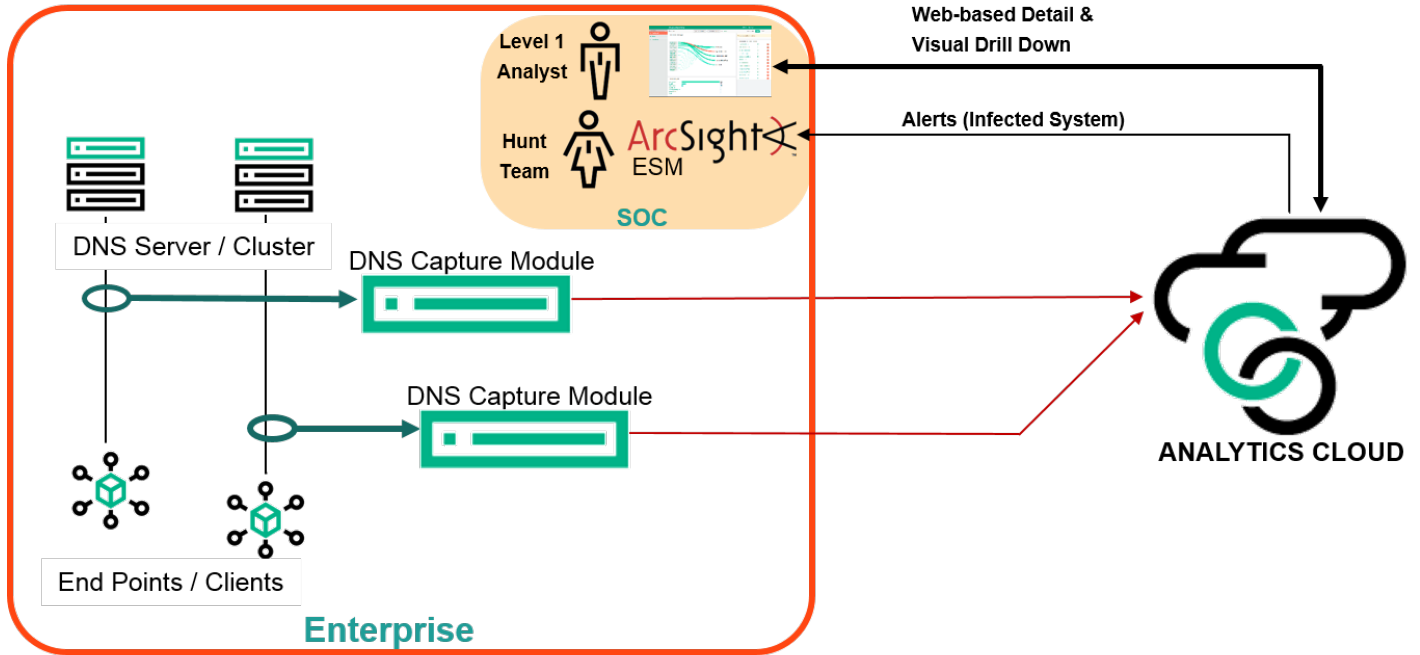


Software

ArcSight DNS Malware Analytics



Service Tier	I	II	III	IV	V	VI	VII	VIII
DNS Users *(limit)	1,000	3,000	5,000	10,000	30,000	50,000	100,000	200,000
DNS Packets Per Day	15 M	45 M	75 M	150 M	450 M	750 M	1,500 M	3,000 M
Minimum Capture Modules Required	1 x D3600	1 x D3600	1 x D3600	1 x D3600	3 x D3600 1 x D8600	5 x D3600 1 x D8600	10 x D3600 2 x D8600	20 x D3600 5 x D8600

*Above the limit moves into the next Service Tier

Software

DNS Capture Module	D8600	D3600
Listening Ports 1000Base-T (1 Gb)	4	2
Maximum Number of DNS Users*	50,000	10,000
Data Limit DNS Packets (Query/Response)	4 B per Day / 45 K per Sec	800 M per Day / 9 K per Sec

*In typical environments

DNS Capture Module Hardware	D8600	D3600
Chassis	1 U – HPE DL360 gen9	1 U – HPE DL20 gen9
Dimensions (D x W x H)	27.5" x 17.2" x 1.7"	15" x 17.2" X 1.7"
Processor	1 X intel E5-2680v3 2.5 GHz, 12 cores	1 X intel E3-1220v5 3 GHz, 4 cores
Memory	32 GB, 2.133 GHz	4 GB, 2.133 GHz
System OS	Windows Server 2012R2	RH Linux 7.2
Ethernet Interfaces (capture)	4 x 10/100/1000	2 x 10/100/1000
Storage	2 X 600GB 12G SAS 15K 2.5in SC ENT HDD	1 X 120 GB 6G SATA 3.5in RI-3 LFF
Power	2 x 800W Platinum Power Supply 120/240V	1 X 290W Power Supply 120/240V
Management	Through DMA Cloud	Through DMA Cloud

DNS Analytics (Cloud)	
Data Security	Secure WebSockets 2.0 - RFC 6455, TLS 1.2 or greater
Number of Administrators/Users	20 max total
Data Look Back Interval	90 Days
White List	Provided – with ability for Customer to add their own entries
Black List	Provided – with ability for Customer to add their own entries
Management Provided	DNS Capture Modules, Users, End-to-end Data Process Health and Performance
Analytics Software License	None – Updates are provided through the cloud as part of constant integration
DNS Capture Module License	None – Updates are provided through the management interface/cloud as part of constant integration

Summary of Changes

Date	Version History	Action	Description of Change
27-May-2016	Version 1	Creation	Document creation



Sign up for updates



**Hewlett Packard
Enterprise**

© Copyright 2016 Hewlett Packard Enterprise Development LP. The information contained herein is subject to change without notice. The only warranties for Hewlett Packard Enterprise products and services are set forth in the express warranty statements accompanying such products and services. Nothing herein should be construed as constituting an additional warranty. Hewlett Packard Enterprise shall not be liable for technical or editorial errors or omissions contained herein.

Learn more at hpe.com/software/arcsight

c05150887 - 15630- Worldwide – V1 – 27-May-2016