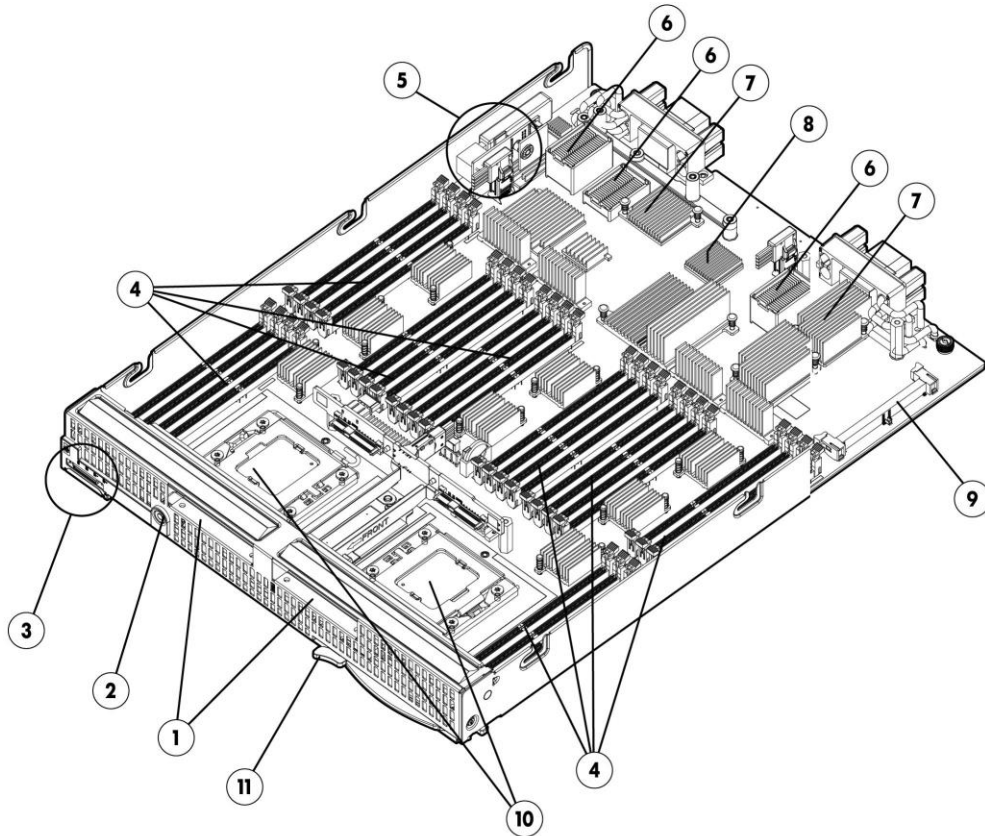


### Overview

### HP ProLiant BL620c Gen7 Server Blade



#### HP ProLiant BL620c Gen7 Server Blade

1. Two hot-plug small form factor (SFF) SAS/SATA/SSD bays
2. Power on/standby button
3. UID, health, and network adapter LEDs
4. 32 RDIMM slots supporting up to 1.0TB of DDR3-1333 memory (operating up to 1066 MHz)
5. One USB 2.0 port, one MicroSD high capacity (SDHC) port, and one TPM 1.2 connector
6. Three PCIe Gen2 I/O expansion mezzanine slots
7. Four NC553i 10Gb FlexFabric adapter ports
8. iLO 3 Management adapter port
9. HP P410i Smart Array flash cache connector
10. One or two Intel® Xeon® E7-2800 family processors up to eight-cores each (below the hard drives)
11. Server release lever

### What's New

- Support for the HP OneView Software integrated management platform and a HP 8GB USB Enterprise Mainstream Flash Media Drive Key Kit

### Standard Features

This document covers the HP ProLiant BL620c G7 server blade only. For more information on the HP BladeSystem c-Class Enclosure and HP BladeSystem c-Class Interconnects, please see the following:

HP BladeSystem c3000 Enclosure QuickSpecs:

[http://h18000.www1.hp.com/products/quickspecs/12790\\_div/12790\\_div.html](http://h18000.www1.hp.com/products/quickspecs/12790_div/12790_div.html)

**NOTE:** The c3000 HP c-Class enclosures have full backwards and forwards compatibility, existing server blades are supported in the new enclosures and any future server blades will be supported in the existing enclosures.

HP BladeSystem c7000 Enclosure QuickSpecs:

[http://h18000.www1.hp.com/products/quickspecs/12810\\_div/12810\\_div.html](http://h18000.www1.hp.com/products/quickspecs/12810_div/12810_div.html)

**NOTE:** The c7000 HP c-Class enclosures have full backwards and forwards compatibility, existing server blades are supported in the new enclosures and any future server blades will be supported in the existing enclosures.

HP BladeSystem c-Class Interconnect and Mezzanine Components QuickSpecs:

<http://h18004.www1.hp.com/products/ blades/ components/ c-class- interconnects. html>

<http://h18004.www1.hp.com/products/ blades/ components/ c-class- adapters. html>

**NOTE:** For the Standard Features shipped in the "Factory Integrated Models", please see the "Configuration Information - Factory Integrated Models" section.

#### Processors

One or more of the following depending on model

#### Ten-Core Processors

Intel® Xeon® E7-2870 (2.40GHz/10-core/30MB, 6.40GT/s QPI, 130W) Processor

**NOTE:** Offered as Configure-To-Order. See the Factory Integrated Models section for more details.

Intel® Xeon® E7-2860 (2.26GHz/10-core/24MB, 6.40GT/s QPI, 130W) Processor

Intel® Xeon® E7-2850 (2.0GHz/10-core/24MB, 6.40GT/s QPI, 130W) Processor

Intel® Xeon® E7-8867L (2.13GHz/10-core/30MB, 6.40GT/s QPI, 105W) Processor

**NOTE:** Offered as Configure-To-Order. See the Factory Integrated Models section for more details.

#### Eight-Core Processors

Intel® Xeon® E7-2830 (2.13GHz/8-core/24MB, 6.40GT/s QPI, 105W) Processor

Intel® Xeon® E7-2820 (2.0GHz/8-core/18MB, 5.86GT/s QPI, 105W) Processor

**NOTE:** Offered as Configure-To-Order. See the Factory Integrated Models section for more details.

#### Six-Core Processors

Intel® Xeon® E7-2803 (1.73GHz/6-core/18MB, 4.80GT/s QPI, 105W) Processor

**NOTE:** Offered as Configure-To-Order. See the Factory Integrated Models section for more details.

**NOTE:** Intel® Xeon® E7-2800/8867L series processors cannot be used to upgrade a ProLiant BL620c G7 server blade with Intel® Xeon® 6500/7500 series processors.

**NOTE:** All processors within the server must be identical.

**NOTE:** All servers support one or two processors.

**NOTE:** The minimum processor configuration is one processor that must be installed in socket CPU1.

**NOTE:** If upgrading an existing BL620c G7 server to a different processor, the server's ROM must be flashed to the latest BIOS prior to the upgrade.

**NOTE:** All processors support Intel® Hyper-threading.

**NOTE:** All processors support Intel® Turbo Boost Technology except the E7-2803.

#### Cache Memory

Up to 30MB level 3 cache memory

#### Chipset

Intel® 7500 chipset

#### Upgradeability

Upgradeable to two processors

**NOTE:** All processors within the server must be identical.

**NOTE:** All servers support one or two processors.

**NOTE:** The minimum processor configuration is one processor that must be installed in socket CPU1.

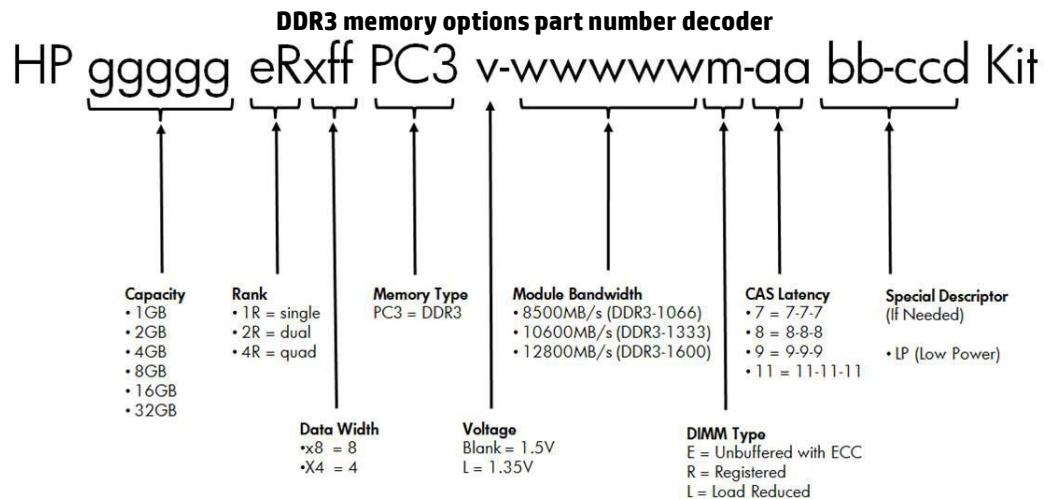
**NOTE:** If upgrading an existing BL620c G7 server to a different processor, the server's ROM must be flashed to the latest BIOS prior to the upgrade.

### Standard Features

**NOTE:** Intel® Xeon® E7-2800/8867L series processors cannot be used to upgrade a ProLiant BL620c G7 server blade with Intel® Xeon® 6500/7500 series processors.

|                                 |                                    |
|---------------------------------|------------------------------------|
| <b>Integrated Manageability</b> | HP Integrated Lights-Out 3 (iLO 3) |
|---------------------------------|------------------------------------|

|               |          |  |
|---------------|----------|--|
| <b>Memory</b> | Type     | DDR3-1333 and DDR3-1066 Registered DIMMs (RDIMM) (operating up to 1066MHz) |
|               | Standard | 32GB (4 x 8GB)   |
|               | Maximum  | 1.0TB (32 x 32GB RDIMMs)   |



**NOTE:** See the "Memory" section for memory guidelines, installation rules, and additional general information.

|                            |   |
|----------------------------|---|
| <b>Network Controllers</b> | Four (4) integrated HP NC553i 10Gb FlexFabric adapter ports supporting 10Gb/1Gb autosensing Ethernet, FCoE, Flex-10, TCP/IP offload engine, hardware-based accelerated iSCSI, and iSCSI boot. |
|----------------------------|---|

**NOTE:** Fibre Channel over Ethernet (FCoE) capability requires the use of an HP Virtual Connect FlexFabric 10Gb/24-port Module or HP 10GbE Pass-Thru Module.

**NOTE:** The Flex-10 capability requires the use of an HP Virtual Connect Flex-10 10Gb Ethernet module or HP 10GbE Pass-Thru Module.

One (1) 10/100 network adapter port dedicated to iLO 3 Management

|                            |   |
|----------------------------|---|
| <b>I/O Expansion Slots</b> | Three (3) mezzanine expansion slots as follows: |
|----------------------------|---|

- Two (2) Type II (25 watts) x8 PCIe Gen2; mezzanine slots 2 and 3 supporting QDR IB, 4Gb and 8Gb FC, 10Gb FlexFabric, 10Gb Flex10, 10GbE, 1GbE, the Smart Array RAID controllers, and the PCI Pass-thru Expansion card.
  - Mezzanine slot's 2 ports are routed to interconnect bays 5,6,7,8 (c7000) and 3,4,3,4 (c3000)
  - Mezzanine slot's 3 ports are routed to interconnect bays 7,8,5,6 (c7000) and 3,4,3,4 (c3000)
- One (1) Type I (15 watts) x4 PCIe Gen2; mezzanine slot 1 supporting 4Gb and 8Gb FC, 10Gb FlexFabric, 10Gb Flex10, 10GbE, and 1GbE
  - Mezzanine slot's 1 ports are routed to interconnect bays 3,4,3,4 (c7000) and 2,2,2,2 (c3000)
- **NOTE:** HP recommends 10Gb adapters be installed in a x8 PCIe slot for optimal performance.

### Standard Features

- **NOTE:** Type II slots accept both Type I or Type II cards. Type I slots accepted Type I cards only.

#### Storage Controller

Integrated SAS version 2.0 (6Gb) HP Smart Array P410i Controller with RAID 0 and 1.  
**NOTE:** The P410i is configured with no cache allowing the end user to select the desired option (if cache is desired in the first place).  
**NOTE:** RAID 0 and 1 are supported on the P410i without the need for a cache option.  
 P410i 512MB and 1GB flash backed write cache (FBWC) options.  
 Optional Smart Array RAID mezzanine controllers (with BBWC and FBWC) for connection to external storage.  
**NOTE:** The server supports up to a combined total of two (2) battery cache options for the P410i and/or optional Smart Array RAID controllers.  
 Optional HP D2200sb PCIe Storage Blade for direct attached and shared storage within the c-Class enclosures.

#### Maximum Internal Storage

One or more of the following depending on model

|                   |       |                  |
|-------------------|-------|------------------|
| Hot-plug SAS      | 2.4TB | 2 x 1.2TB drives |
| Hot-plug SATA     | 2.0TB | 2 x 1.0TB drives |
| Hot-plug SAS SSD  | 1.6TB | 2 x 800GB drives |
| Hot-plug SATA SSD | 1.6TB | 2 x 800GB drives |

**NOTE:** SAS, SATA, and/or SSD drives cannot be mixed within the server.

#### Industry Standard Compliance

- ACPI 2.0 Compliant
- PCI 2.2 Compliant
- Microsoft® Logo certifications
- USB 2.0
- Secure Digital 2.0
- TMP 1.2
- IEEE (see the NC553i Technical Specifications section)
- Advanced Encryption Standard (AES)
- Triple Data Encryption Standard (3DES)
- SNMP
- SSL 2.0
- Active Directory v1.0 (Windows 2003)
- IPMI 2.0
- DMTF Systems Management Architecture for Server Hardware Command Line Protocol (SMASH CLP)

#### Operating Systems and Virtualization Software Support for ProLiant Servers

Microsoft Windows Server  
 Red Hat Enterprise Linux (RHEL)  
 SUSE Linux Enterprise Server (SLES)  
 Oracle Solaris  
 VMware Server  
 Citrix XenServer

**NOTE:** For more information on HP's Certified and Supported ProLiant Servers for OS and Virtualization Software and latest listing of software drivers available for your server, including how to purchase from HP, please visit our OS Support Site at: <http://www.hp.com/go/ossupport> and our driver download page <http://www.hp.com/support/BL620cG7>

### Standard Features

#### Enclosures

HP offers two different c-Class server blade enclosures to meet your individual needs:

- The HP BladeSystem c7000 rack enclosure is 10U high and holds up to 4 HP ProLiant BL680c G7 servers plugged vertically.
- The HP BladeSystem c3000 rack enclosure is 6U high and holds up to 2 HP ProLiant BL680c G7 servers plugged horizontally.

Server blades, storage blades, and interconnect modules are all designed to fit into the c7000 and c3000 enclosures.

**NOTE:** For optimal cooling and system performance the HP ProLiant BL620c G7 server requires the c7000 enclosure to be configured with 10 fans and the c3000 enclosure to be configured with 6 fans.

For additional enclosure information, please see:

<http://h18004.www1.hp.com/products/ blades/ components/ enclosures/ c-class/ index.html>

#### Graphics

Integrated Matrox G200 video standard

- 1280 x 1024 (32 bpp)
- 1920 x 1200 (16 bpp)

HP iLO 4 On System Management Memory

- 16 MB Flash
- 256 MB DDR 3 with ECC (112 MB after ECC and video)

Resolution Color Depths 1280 x 1024, 16.7M, 64k, 256, 16  
1024 x 768, 16.7M, 64k, 256, 16  
800 x 600, 16.7M, 64k, 256, 16  
640 x 480, 16.7M, 64k, 256, 16

#### Form Factor

Full height, single wide server blade that plugs into the HP BladeSystem c3000 and c7000 enclosures

#### HP Insight management software

HP Service Pack for ProLiant

HP Service Pack for ProLiant (SPP) and HP Smart Update Manager (HP SUM) version 5 provide a new, comprehensive approach to firmware and system software maintenance. Together they provide better operating stability and ensure maximum uptime. The SPP will be updated at a predictable cadence, typically coinciding with new HP server hardware launches. By enabling firmware to be updated online and integrating firmware and system software updates in one operation HP SUM and the SPP offer faster updates of individual servers and dramatically faster updates of entire BladeSystem enclosures. Further improving system uptime and stability is the fact that HP provides 12 months of support on each Service Pack for ProLiant.

The user experience around HP SUM and the SPP has been improved in several ways, starting with the web download. A single web page provides access to a single download containing both the latest version of HP SUM version 5 and the latest SPP. Optional smaller subsets with only specific types of servers or specific operating systems are offered to save on download time. The HP SUM application has been re-written to provide a more straightforward, intuitive user interface that guides the user through the steps of discovery, analyses and update, providing comprehensive

### Standard Features

information on available updates, criticality and interdependencies. This information is also available in reports. By providing the option of multiple local or shared repositories which can be easily updated from [hp.com](http://hp.com), HP SUM provides the tools to optimize stability and consistency throughout the company. While HP SUM and the SPP will recommend the combinations of firmware and system software that HP has found to be the best practice, the application gives customers the flexibility to set their own specific baseline.

The Service Pack for ProLiant has been rigorously tested with specific attention for interaction between firmware, drivers and agents both within the server as well as in interaction with the BladeSystem enclosure components (Onboard Administrator and Virtual Connect). This testing ensures the highest quality as well as providing the input for HP SUM to deploy updates taking into account all interdependencies, when determining the correct updates and order of update deployment.

The Service Pack for ProLiant (which includes HP SUM 5) can be downloaded from: [www.hp.com/go/spp/download](http://www.hp.com/go/spp/download). More information can be found: <http://www.hp.com/go/spp> and <http://www.hp.com/go/hpsum>

#### HP Insight Foundation

Insight Foundation is being baselined at version v8.70 which means the following:

- Its Media Kit (contains 2 SmartStart CDs, the Firmware DVD, and the Management DVD) will continue to ship with all supported ProLiant G7 or earlier BTO servers until the last supported server is no longer shipping.
- The Media Kit will not be updated past version 8.70.
- ProLiant G7 or earlier CTO servers are able to order the Media Kit with the understanding that the media is not updated. Please check specific server QuickSpecs for availability of CTO Kit.
- PSP and Firmware DVD downloads will be updated through 2Q 2012 at the HP Insight Foundation Suite for ProLiant downloads tab: <http://www.hp.com/go/foundation>

Customers are urged to use the replacement product, HP Service Pack for ProLiant, instead of Insight Foundation Suite which is found at these location:

- [www.hp.com/go/spp](http://www.hp.com/go/spp)
- [www.hp.com/go/spp/download](http://www.hp.com/go/spp/download)

---

### Security

- Intel® AES-NI
- Power-on password
- Administrator's password
- Integrated Lights-Out 3 with:
  - 12 customizable user accounts
  - SSL encryption
  - Secure Shell version 2
  - Advanced Encryption Standard (AES) and Triple Data Encryption Standard (3DES) on browser, CLP and XML scripting interface
  - AES and RC4 encryption of video
  - Disable via a global setting

### Standard Features

- Keyboard password
- External USB port enable/disable
- Network server mode
- Serial interface control
- TPM (Trusted Platform Module) 1.2 option

---

### Availability

### Memory

- HP Memory Quarantine (based on Intel MCA Recovery technology). In conjunction with the operating system support, allows a server to recover from uncorrectable memory errors which would have otherwise caused a system crash.
- Double Device Data Correction (DDDC). DDDC provides the ability to save a DIMM from being replaced due to a bad dram device.
- Data Bus ECC protection for automatic correction from a single data bit error and detection of double data error bits.
- Advanced ECC/SDDC provides continued memory operation in the event of a single memory device failure and allows removal of a single DRAM from the memory map if it exhibits a failure and recovers its data into a new device.
  - Supports for both x4 and x8 Intel® SDDC.
- Demand Scrubbing writes corrected data back to the memory once a correctable error is detected on a read transaction.
- DIMM Address/Control Bus Parity Protection provides a means to detect and protect command and address errors.
- Memory Failover uses a mirrored DIMM once a failed DIMM in a mirrored set is detected.
- Memory Mirroring provides a copy of memory stored with dynamic failover in case of failure within socket (intra-socket) memory mirroring.
  - The system will operate in non-hemisphere mode when mirroring is enabled.
- Rank Sparring (On Line Spare) provides dynamic failover to a spare DIMM rank or spare rank pair behind the same memory controller. Cannot be enabled concurrently with memory mirroring.

**NOTE:** HP offers the rank sparing rather than DIMM sparing as rank sparing uses less spare memory resulting in less overhead.
- Failed DIMM Isolation identifies a specific failing DIMM lockstep pair thereby enabling the user to replace only the failed DIMM pair. Identifies a single DIMM for correctable errors and DIMM pair for uncorrectable errors.

### Virtualization

- Intel® VT-x (FlexMigration, FlexPriority, and Extended Page Tables) provides:
  - Platform control between the VMM and guest OSs for faster, more reliable and secure transfers.
  - VM migration features that enhance flexibility for failover, load balancing, disaster recovery, and maintenance.
- Intel® VT-x Real Mode & Pause Loop Exiting:
  - Real Mode allows guests to operate in real mode, removing the performance overhead and complexity of an emulator.
  - Pause Loop Exiting provides detection of spin locks in guest software and helps avoid lock-holder preemption to reduce overhead and improve performance.
- Intel® VT-d (Intel® Virtualization Technology for Directed I/O) enables the VMM to assign specific I/O devices to specific guest OSs improving security and availability.

### Standard Features

#### Mezzanine options and I/O

- Optional dual-port Fibre Channel mezzanine cards for redundant SAN connections.
- Optional dual-port InfiniBand mezzanine cards for redundant high performance connections.
- Four embedded Ethernet adapter ports for redundant LAN connections.
- Multiple mezzanine I/O expansion slots each supported multiple data paths routed to redundant interconnect modules.
- Network Adapter Teaming (Bonding) provides network fault tolerance, transmit load balancing, and switch-assisted load balancing.

#### Processor/Chipset

- Processor Internal Sensors & Thermal Control protection against over-temperature conditions.
- Cache parity/ECC protects cache data from accidental data corruption due to particle hits.
- Machine Check Architecture (MCA) detects and captures hardware errors such as system bus, ECC, parity, cache, other.
- Enhanced MCA handling & error logging builds upon the original Machine Check Architecture to: offers more "banks" and increased "resolution" for reporting errors that cause MCA events and 2) sets check flags for the OS to poll.
- External Bus Error Recovery (ECC) enables automatic correction from a single data bit error and detection of double data error bits on the memory data bus.
- Corrupt Data Containment tags faulty data before it is consumed (often called data poisoning) to limit the impact to the currently running program and to greatly reduce the need to reset the system.
- On-Die Error Protection protects registers from particle hits.

#### Storage

- Two hot-plug SAS/SATA/SSD drive bays.
- Integrated HP Smart Array P410i Controller with RAID 0 and 1 standard
- Integrated HP Smart Array P410i Controller upgradeable firmware with recovery ROM capability
- HP Smart Array P410i flash backed write cache (FBWC) options to 1GB.
- Optional multiple Smart Array RAID mezzanine controllers (with BBWC and FBWC) for direct attach and shared SAS storage external to the c-Class enclosure.
- Optional HP D2200sb Storage Blade for direct attached and shared storage within the c-Class enclosure.

#### Intel® QuickPath Interconnect (QPI)

- QPI Link Retry restarts as cycle when a failure is detected on the link.
- QPI Clock Failover redirects the forwarded clock to one of the two failover clock lanes in the event of a forwarded clock failure.
- QPI Self-Healing enables a QPI link to map a failed lane and downshift from full to ½ width (or ½ width to ¼ width) QPI link if there are errors on the link.
- QPI Cycle Redundancy Checking (CRC) automatically detects data errors using a checksum of either 8 bits or 16 bits.
- QPI Poisoning tags an erroneous packet with a "poisoned bit" on the QPI fabric.
- QPI Lane Failover identifies a faulty lane within data paths removing them from operation reducing command/address errors.



### Standard Features

#### Server Blade Enclosure Infrastructure

- Up to 10 hot-plug redundant Active Cool fans per enclosure.
- Up to 6 hot-plug high efficiency redundant power supplies per enclosure.
- Dual grid power providing redundant rack enclosure power feeds to the enclosure.
- Up to eight interconnect modules per enclosure providing four simultaneous redundant fabrics for FlexFabric, Virtual Connect Ethernet, Fibre Channel, InfiniBand, iSCSI, SAS, etc.
- Optional enclosure redundant Onboard Administrator system management module.

---

#### Warranty:

This product is covered by a global limited warranty and supported by HP Services and a worldwide network of HP Authorized Channel Partners resellers. Hardware diagnostic support and repair is available for three years from date of purchase. Support for software and initial setup is available for 90 days from date of purchase. Enhancements to warranty services are available through HP Care Pack services or customized service agreements. Hard drives have either a one year or three year warranty; refer to the specific hard drive QuickSpecs for details.

**NOTE:** Server warranty includes 3 year Parts, 3 year Labor, 3-year on-site support. Warranty repairs may be accomplished through the use of Customer Self Repair (CSR) parts. These parts fall into two categories: 1) Mandatory CSR parts are designed for easy replacement. A travel and labor charge will result when customers decline to replace a Mandatory CSR part; 2) Optional CSR parts are also designed for easy replacement but may involve added complexity. Customers may choose to have HP replace Optional CSR parts at no charge. Additional information regarding worldwide limited warranty and technical support is available at:

<http://h18004.www1.hp.com/products/servers/platforms/warranty/index.html>

---

### Optional Features

|                                       |  |  |
|---------------------------------------|--|--|
| <b>Fibre Channel Support</b>          | Up to three (3) optional 4Gb and/or 8Gb Fibre Channel HBA mezzanine adapters (Brocade, Emulex and QLogic options).   |  |
| <b>Compatible SAN</b>                 | HP ProLiant BL620c G7 server blades are optimized for HP MSA, EVA, and XPHP and are compatible with select third party SANs. See the blade storage page for more details at <a href="http://h18004.www1.hp.com/products/blades/components/c-class-sans.html">http://h18004.www1.hp.com/products/blades/components/c-class-sans.html</a>  |  |
| <b>HP Virtual Connect</b>             | HP Virtual Connect is an interconnect option for BladeSystem c-Class that simplifies server connectivity to data and storage networks, and reduces costs. Unique HP Flex-10 technology makes maximum use of network bandwidths, provide dynamic tuning and enable extreme flexibility to meet individual server and infrastructure requirements by allocating up to 4 network connections per server port. Virtual Connect FlexFabric modules extend those capabilities to allocate one function per port to storage connections. HP Virtual Connect Enterprise Manager (VCEM) provides server management software with a central console to administer network connections and workloads for thousands of servers. For more information on Virtual Connect Enterprise Manager see: <a href="http://www.hp.com/go/vcem">www.hp.com/go/vcem</a> . For more information on Virtual Connect Ethernet, Fibre Channel, Converged Network and management options see: <a href="http://www.hp.com/go/virtualconnect">www.hp.com/go/virtualconnect</a> |  |
| <b>HP Virtual Connect</b>             | HP Virtual Connect is an interconnect option for BladeSystem c-Class that simplifies server connectivity to data and storage networks, and reduces costs. Unique HP Flex-10 technology makes maximum use of network bandwidths, provide dynamic tuning and enable extreme flexibility to meet individual server and infrastructure requirements by allocating up to 4 network connections per server port. Virtual Connect FlexFabric modules extend those capabilities to allocate one function per port to storage connections. HP Virtual Connect Enterprise Manager (VCEM) provides server management software with a central console to administer network connections and workloads for thousands of servers. For more information on Virtual Connect Enterprise Manager see: <a href="http://www.hp.com/go/vcem">www.hp.com/go/vcem</a> . For more information on Virtual Connect Ethernet, Fibre Channel, Converged Network and management options see: <a href="http://www.hp.com/go/virtualconnect">www.hp.com/go/virtualconnect</a> |  |
| <b>HP Insight management software</b> | HP Insight Control   | HP Insight Control, a product option, delivers essential infrastructure management that can help save time and money by making it easy to deploy, monitor, remote control, and optimize your IT infrastructure through a single, simple management console. For more information, see <a href="http://www.hp.com/go/insightcontrol">http://www.hp.com/go/insightcontrol</a>  |
|                                       | HP Matrix Operating Environment  | HP Insight Control includes one year of 24 x 7 HP Software Technical Support and Update Service ensuring rapid access to HP support staff and proactive delivery of software updates. For more information about this service, please visit: <a href="http://www.hp.com/services/insight">http://www.hp.com/services/insight</a><br><br>The HP Matrix Operating Environment (Matrix OE) for ProLiant and Integrity servers is an integrated command center that helps you instantly adjust to dynamic business demands. This advanced infrastructure management software lets you reduce the cost of common data center tasks by up to 40 percent while keeping pace with your changing business.<br>The HP Matrix OE includes the automated provisioning, optimization, and recovery management capabilities for HP CloudSystem Matrix, the ideal platform for private cloud and Infrastructure as a Service (IaaS).<br><b>NOTE:</b> For more information, visit: <a href="http://www.hp.com/go/matrixoe">http://www.hp.com/go/matrixoe</a> |
|                                       | HP Integrated Lights-Out (iLO)   | HP Integrated Lights-Out (iLO) simplifies server setup, health monitoring, power and thermal control, and lights-out remote administration of ProLiant ML, DL, and BL servers. HP iLO functions without additional software and can be accessed from any location via a web browser. HP iLO works hand-in-hand with HP Systems Insight Manager, Insight Control, and   |

### Optional Features

Matrix Operating Environment for ProLiant, helping customers unleash the value of the ProLiant platform and deliver the highest possible quality of IT service. For more information, visit: [www.hp.com/go/iLO](http://www.hp.com/go/iLO)

#### HP OneView

The HP OneView architecture combines server, storage, and networking with control of datacenter environmentals into a single, integrated management platform. Architected to deliver lifecycle management for the complete Converged Infrastructure, it facilitates collaboration, removes friction, collapses cycle times, eliminates error-prone work, and accelerates time to value. HP OneView v1.0 combines management of servers and virtual connect with open integration to automate and customize existing tools and processes. With OneView, you'll work smarter-with greater visibility and control-and fully capitalize on the benefits of a Converged Infrastructure.

For more information on HP OneView management, see: <http://www.hp.com/go/oneview>

#### High Performance Clusters

##### HP Cluster Platforms

HP Cluster Platforms are specifically engineered, factory-integrated large-scale ProLiant clusters optimized for High Performance Computing, with a choice of servers, networks and software. Operating system options include specially priced offerings for Red Hat Enterprise Linux and SUSE Linux Enterprise Server, as well as Microsoft Windows HPC Server. A Cluster Platform Configurator simplifies ordering. <http://www.hp.com/go/clusters>

##### HPC Interconnects

High Performance Computing (HPC) interconnect technologies are available for this server as part of the HP Cluster Platform portfolio. These high-speed InfiniBand and Gigabit interconnects are fully supported by HP when integrated within an HP cluster. Flexible, validated solutions can be defined with the help of configuration tools.

<http://www.hp.com/techservers/clusters/ucp/index.html>

##### HP Insight Cluster Management Utility

HP Insight Cluster Management Utility (CMU) is an HP-licensed and HP-supported suite of tools that are used for lifecycle management of hyperscale clusters of Linux ProLiant systems. CMU includes software for the centralized provisioning, management and monitoring of nodes. CMU makes the administration of clusters user friendly, efficient, and effective.

<http://www.hp.com/go/cmu>

#### Factory Express Portfolio for Servers and Storage

HP Factory Express offers configuration, customization, integration and deployment services for HP servers and storage products. Customers can choose how their factory solutions are built, tested, integrated, shipped and deployed.

Factory Express offers service packages for simple configuration, racking, installation, complex configuration and design services as well as individual factory services, such as image loading, asset tagging, and custom packaging. HP products supported through Factory Express include a wide array of servers and storage: HP Integrity, HP ProLiant, HP ProLiant Server Blades, HP BladeSystem, HP 9000 servers as well as the MSAxxxx, VA7xxx, EVA, XP, rackable tape libraries and configurable network switches.

For more information on Factory Express services on your specific server model please contact your sales representative or go to: <http://www.hp.com/go/factory-express>

#### HP Simple Configurator

SCE is a guided self-service tool to help sales and non-technical people provide customers with initial configurations in 3 to 5 minutes. You may then send the configuration on for configuration help, or use in your existing ordering processes. If you require "custom" rack configuration or configuration for products not available in SCE, please contact HP's Customer Business Center or an Authorized Partner for assistance. <http://www.hp.com/products/configurator>

### Service and Support

#### Service and Support

#### HP Technology Services for Industry Standard Servers

HP Technology Services delivers confidence, reduces risk and helps customers realize agility and stability. Connect to HP to help prevent problems and solve issues faster. Our support technology lets you to tap into the knowledge of millions of devices and thousands of experts to stay informed and in control, anywhere, any time.

#### Protect your business beyond warranty with HP Care Pack Services

HP Care Pack Services enable you to order the right service level, length of coverage and response time as you purchase your new server, giving you full entitlement for the term you select.

---

### Recommended HP Care Pack Services for your HP product

#### Optimized Care

#### HP Proactive Care with 6 hour call-to-repair commitment, three year Care Pack Service

HP Proactive Care helps prevent problems and stabilize IT by utilizing secure, real-time, predictive analytics and proactive consultations when your products are connected to HP. This Care Pack Service combines three years' proactive reporting and advice with our highest level reactive coverage and enhanced escalation management, HP's 24x7, six hour call-to-repair hardware commitment. HP is the only leading manufacturer who makes this level of coverage available as a standard service offering for your most valuable servers. Service includes 24x7 collaborative software support for leading industry standard software running on your HP ProLiant server.

<http://h20195.www2.hp.com/v2/GetPDF.aspx/4AA3-8855ENW.pdf>

---

#### Standard Care

#### HP Proactive Care with 24x7 coverage, three year Care Pack Service

HP Proactive Care helps prevent problems and stabilize IT by utilizing secure, real-time, predictive analytics and proactive consultations when your products are connected to HP. This Care Pack Service combines three years' proactive reporting and advice with our 24x7 coverage and enhanced escalation management, four hour hardware response time and two hour call back for software questions on leading industry standard software running on your HP ProLiant server.

<http://h20195.www2.hp.com/v2/GetPDF.aspx/4AA3-8855ENW.pdf>

---

#### Related Services

#### Data Center Platform Consulting Services

Choose HP Technology Services Consulting to modernize and migrate your key systems. These services help fine tune your data center to improve security, management and efficiency across IT infrastructure, operations, and facilities and prepare you for the new style of IT. HP understands the needs of the data center of the future and will serve as your guide for the journey.

[www.hp.com/services/consulting](http://www.hp.com/services/consulting)

#### HP ProLiant Server Hardware Installation

Provides for the basic hardware installation of HP branded servers, storage devices and networking options to assist you in bringing your new hardware into operation in a timely and professional manner.

<http://h20195.www2.hp.com/V2/GetPDF.aspx/5981-9356EN.pdf>

#### Factory Express for Servers and storage

HP Factory Express offers configuration, customization, integration and deployment services for HP servers and storage products. Customers can choose how their factory solutions are built, tested,

### Service and Support

integrated, shipped and deployed. For more information on Factory Express services for your specific server model please contact your sales representative or go to: <http://www.hp.com/go/factory-express>.

#### Data Privacy Services

Protect your data through better media management. HP Data privacy services help manage and protect sensitive data to reduce the risk of unauthorized access to private information and help meet compliance requirements. Our retention services allow you to keep drives and other devices upon failure, our removal services provide convenient data sanitization and our recovery services allow you to safely retire IT assets and capture any remaining value from the hardware.

[www.hp.com/services/dataprivacy](http://www.hp.com/services/dataprivacy)

Additional HP Care Pack services can be found at: <http://www.hp.com/go/cpc>

---

#### Get connected to HP to improve your support experience

Connecting products to HP will help prevent problems with 24x7 monitoring, prefailure alerts, automatic call logging, and parts dispatch, plus current data will be available for the proactive reports that are part of Proactive Care Services. With Connected products, you can have a dashboard to manage your IT anywhere, anytime, from any device.

---

#### HP Support Center

Personalized online support portal with access to information, tools and experts to support HP business products. Submit support cases online, chat with HP experts, access support resources or collaborate with peers. Learn more <http://www.hp.com/go/hpsc>

HP's Support Center Mobile App allows you to resolve issues yourself or quickly connect to an agent for live support. Now, you can get access to personalized IT support anywhere, anytime. HP Insight Remote Support and HP Support Center are available at no additional cost with a HP warranty, HP Care Pack or HP contractual support agreement.

**NOTE:** HP Support Center Mobile App is subject to local availability.

---

#### Parts and Materials

HP will provide HP-supported replacement parts and materials necessary to maintain the covered hardware product in operating condition, including parts and materials for available and recommended engineering improvements.

Parts and components that have reached their maximum supported lifetime and/or the maximum usage limitations as set forth in the manufacturer's operating manual, product quick-specs, or the technical product data sheet will not be provided, repaired, or replaced as part of these services.

The defective media retention service feature option applies only to Disk or eligible SSD/Flash Drives replaced by HP due to malfunction.

---

#### For more information

To learn more on HP ProLiant servers and HP BladeSystem servers, please contact your HP sales representative or HP Authorized ServiceOne Channel Partner. Or visit:

[www.hp.com/services/bladestystem](http://www.hp.com/services/bladestystem)

### Pre-Configured Models

**NOTE:** For the Standard Features shipped in the "Factory Integrated Models", please see the "Configuration Information - Factory Integrated Models" section.

**NOTE:** Not all models are available in all regions. Check with your local country HP offices for availability.

|   |  |   |
|---|--|---|
| <b>HP ProLiant BL620c G7 E7-2860 1P 32GB-R Server</b><br>643763-B21 | <b>Processor(s)</b><br>One of the following depending on model | (1) Intel® Xeon® E7-2860 (2.26GHz/10-core/24MB, 6.40GT/s QPI, 130W) Processor<br>(1) Intel® Xeon® E7-2850 (2.0GHz/10-core/24MB, 6.40GT/s QPI, 130W) Processor<br>(1) Intel® Xeon® E7-2830 (2.13GHz/8-core/24MB, 6.40GT/s QPI, 105W) Processor                     |
| <b>HP ProLiant BL620c G7 E7-2850 1P 32GB-R Server</b><br>643764-B21 | <b>Cache Memory</b><br><b>Memory</b>                           | 24MB L3 cache<br>32GB (4 x 8GB) DDR3-1333 RDIMMs (operating up to 1066MHz)  |
| <b>HP ProLiant BL620c G7 E7-2830 1P 32GB-R Server</b><br>643765-B21 | <b>Network Controllers</b>                                     | Four (4) integrated HP NC553i 10Gb FlexFabric adapter ports supporting 10Gb/1Gb autosensing Ethernet, FCoE, Flex-10, TCP/IP offload engine, hardware-based accelerated iSCSI, and iSCSI boot<br>One (1) 10/100 network adapter port dedicated to iLO 3 Management |
|   | <b>Storage Controller</b>                                      | Integrated SAS version 2.0 (6Gb) HP Smart Array P410i Controller with RAID 0 and 1  |
|   |  | <p><b>NOTE:</b> The P410i is configured with no cache allowing the end user to select the desired cache option (if cache is desired in the first place).</p>  |
|   |  | <p><b>NOTE:</b> RAID 0 and 1 are supported on the P410i without the need for a cache option.</p>  |
|   |  | Two (2) cache slots for BBWC and/or FBWC battery options.   |
|   |  | <p><b>NOTE:</b> The server supports up to a combined total of two (2) battery cache options for the P410i and/or optional Smart Array RAID controllers.</p>   |
|   | <b>Hard Drives</b>   | No drives included; supports up to two (2) hot-plug SFF SAS/SATA/SSD drives   |
|   | <b>Internal Storage</b>  | SAS: 2.4TB; SATA: 2.0TB; SAS SSD: 1.6TB; SATA SSD: 800GB  |
|   | <b>Optical Drive</b>   | None  |
|   | <b>Form Factor</b>   | Up to 4 blades in the HP BladeSystem c3000 enclosure<br>Up to 8 blades in the HP BladeSystem c7000 enclosure  |

### Configuration Information - Factory Integrated Models

**NOTE:** This section lists some of the steps required to configure a Factory Integrated Model. To ensure only valid configurations are ordered, HP recommends the use of an HP approved configurator. Contact your local sales representative for information on Factory Integrated Model product offerings and requirements.

**NOTE:** HP does not allow factory integration of options into standard models listed above.

**NOTE:** Configure-to-order servers must start with a Factory Integrated Model (CTO) Blade.

**NOTE:** FIO indicates that this option is a Factory Installable Option.

### Step 1: Base Server Blade Configuration (Select a configurable Blade)

|                  |   |
|------------------|---|
| <b>HP Models</b> | <p>HP ProLiant BL620c G7 W Configure-to-order Server <span style="float: right;">643786-B21</span></p> <p><b>Configurable model ships with:</b></p> <p>Four (4) integrated HP NC553i 10Gb FlexFabric adapter ports supporting 10Gb/1Gb autosensing Ethernet, FCoE, Flex-10, TCP/IP offload engine, hardware-based accelerated iSCSI, and iSCSI boot</p> <p>One (1) 10/100 network adapter port dedicated to iLO 3 Management</p> <p>One (1) Integrated SAS version 2.0 (6Gb) HP Smart Array P410i Controller with RAID 0 and 1</p> <p><b>NOTE:</b> The P410i is configured with no cache allowing the end user to select the desired cache option (if cache is desired in the first place).</p> <p><b>NOTE:</b> RAID 0 and 1 are supported on the P410i without the need for a cache option.</p> <p>Two (2) cache slots for BBWC and/or FBWC battery options.</p> <p><b>NOTE:</b> The server supports up to a combined total of two (2) battery cache options for the P410i and/or optional Smart Array RAID controllers.</p> <p>Two (2) small form factor hot-plug SAS/SATA/SSD hard drive bays</p> <p>Three (3) I/O expansion slots</p> <p>One (1) integrated Lights-Out 3</p> <p>Integrated USB, MicroSDHC, and TPM connectors</p> |
|------------------|---|

### Step 2: Choose Required Options (one of the following from each list unless otherwise noted):

|                      |  |
|----------------------|--|
| <b>HP Processors</b> | <p><b>NOTE:</b> The BL620c G7 supports one or two processors.</p> <p><b>NOTE:</b> The minimum processor configuration is one processor that must be installed in socket CPU1.</p> <p><b>NOTE:</b> All processors within the server must be identical.</p> <p><b>NOTE:</b> All Configure-to-Order processor kits contain one (1) processor.</p> <p><b>NOTE:</b> If two processors are desired, select one xxxxxx-L21 kit and one xxxxxx-B21 kit.</p> <p><b>NOTE:</b> Intel® Xeon® E7-2800/8867L series processors cannot be used to upgrade a ProLiant BL620c G7 server blade with Intel® Xeon® 6500/7500 series processors.</p> <p><b>Ten-Core Processors</b></p> <p>HP BL620c G7 Intel® Xeon® E7-2870 (2.40GHz/10-core/30MB/130W) FIO Processor Kit <span style="float: right;">643749-L21</span></p> <p>HP BL620c G7 Intel® Xeon® E7-2860 (2.26GHz/10-core/24MB/130W) FIO Processor Kit <span style="float: right;">643751-L21</span></p> <p>HP BL620c G7 Intel® Xeon® E7-2850 (2.0GHz/10-core/24MB/130W) FIO Processor Kit <span style="float: right;">643753-L21</span></p> <p>HP BL620c G7 Intel® Xeon® E7-8867L (2.13GHz/10-core/30MB/105W) FIO Processor Kit <span style="float: right;">643761-L21</span></p> <p><b>Eight-Core Processors</b></p> <p>HP BL620c G7 Intel® Xeon® E7-2830 (2.13GHz/8-core/24MB/105W) FIO Processor Kit <span style="float: right;">643755-L21</span></p> <p>HP BL620c G7 Intel® Xeon® E7-2820 (2.0GHz/8-core/18MB/105W) FIO Processor Kit <span style="float: right;">643757-L21</span></p> <p><b>Six-Core Processors</b></p> <p>HP BL620c G7 Intel® Xeon® E7-2803 (1.73GHz/6-core/18MB/105W) FIO Processor Kit <span style="float: right;">643759-L21</span></p> |
| <b>HP Memory</b>     | <p><b>NOTE:</b> All DDR3 memory option kits consist of one RDIMM per kit.</p> <p><b>NOTE:</b> See the "Memory" section for memory guidelines, installation rules, and</p>  |

### Configuration Information - Factory Integrated Models

[additional general information.](#)

#### Registered DIMMs (RDIMMs)

|  |            |
|--|------------|
| HP 4GB (1x4GB) Dual Rank x4 PC3-10600 (DDR3-1333) Registered CAS-9 Memory Kit            | 500658-B21 |
| HP 8GB (1x8GB) Dual Rank x4 PC3-10600 (DDR3-1333) Registered CAS-9 Memory Kit            | 500662-B21 |
| HP 8GB (1x8GB) Dual Rank x4 PC3L-10600 (DDR3-1333) Registered CAS-9 Low Power Memory Kit | 604506-B21 |
| HP 16GB (1x16GB) Dual Rank x4 PC3L-10600 (DDR3-1333) Registered CAS-9 LP Memory Kit      | 627812-B21 |
| HP 32GB (1x32GB) Quad Rank x4 PC3L-8500 (DDR3-1066) Registered CAS-7 LP Memory Kit       | 627814-B21 |

### Step 3: Choose Additional Options for Factory Integration

|   |  |          |
|---|--|----------|
| <b>HP Insight Software</b>                          | HP Insight Control including 1yr 24x7 Support ProLiant ML/DL/BL-bundle Single Server FIO License | C6N36A   |
| <b>Converged Infrastructure Management Software</b> | <b>HP OneView with iLO Advanced - Server hardware required on same purchase order</b>            |          |
|   | HP OneView for ProLiant DL Server incl 3yr 24x7 Supp FIO Bundle Physical 1 Svr Lic               | E5Y43A   |
|   | HP OneView incl 3yr 24x7 Supp Bundle 1 Svr E-LTU   | E5Y43AAE |
|   | HP OneView for Blade Server incl 3yr 24x7 Supp FIO Bundle Physical 1 Svr Lic                     | F6Q89A   |
|   | HP OneView for Blade Server incl 3yr 24x7 Supp FIO Bundle 1 Svr E-LTU                            | F6Q89AAE |

### Step 4: Choose Additional Options for Factory Integration

**NOTE:** For additional options, including server blade enclosures interconnect and mezzanine options and power subsystem options; please see the Core Options and Additional sections below and the following:

HP BladeSystem c3000 Enclosure QuickSpecs:

[http://h18000.www1.hp.com/products/quickspecs/12790\\_div/12790\\_div.html](http://h18000.www1.hp.com/products/quickspecs/12790_div/12790_div.html)

**NOTE:** The c3000 HP c-Class enclosures have full backwards and forwards compatibility, existing server blades are supported in the new enclosures and any future server blades will be supported in the existing enclosures.

HP BladeSystem c7000 Enclosure QuickSpecs:

[http://h18000.www1.hp.com/products/quickspecs/12810\\_div/12810\\_div.html](http://h18000.www1.hp.com/products/quickspecs/12810_div/12810_div.html)

**NOTE:** The c7000 HP c-Class enclosures have full backwards and forwards compatibility, existing server blades are supported in the new enclosures and any future server blades will be supported in the existing enclosures.

HP BladeSystem c-Class Interconnect and Mezzanine Components QuickSpecs:

<http://h18004.www1.hp.com/products/ blades/ components/ c-class-interconnects.html>

<http://h18004.www1.hp.com/products/ blades/ components/ c-class-adapters.html>

**NOTE:** For optimal cooling and system performance the HP ProLiant BL620c G7 server requires the c7000 enclosure to be configured with 10fans and the c3000 enclosure to be configured with 6 fans.



### Core Options

**NOTE:** For additional "Core Options" and "Additional Options" please see the options sections below.

#### HP Ethernet Mezzanine Options

##### Gigabit Ethernet Mezzanines

|  |            |
|--|------------|
| HP NC325m PCI Express Quad Port Gigabit Server Adapter               | 416585-B21 |
| HP NC360m Dual Port 1GbE BL-c Adapter                                | 445978-B21 |
| HP NC364m Quad Port 1GbE BL-c Adapter                                | 447883-B21 |
| HP NC382m PCI Express Dual Port Multifunction Gigabit Server Adapter | 453246-B21 |

##### 10 Gigabit Ethernet Mezzanines

**NOTE:** A 10 Gigabit Ethernet adapter is required for each server blade connecting to a 10Gb interconnect in bays 3-8 (HP BladeSystem c7000 Enclosure) or bays 2-4 (HP BladeSystem c3000 Enclosure).

**NOTE:** Each 10 Gigabit Ethernet adapter requires a minimum of 2GB of server memory.

**NOTE:** A 10 Gigabit Ethernet adapter will down speed to 1Gb if paired with a 1GbE interconnect.

**NOTE:** HP recommends 10Gb adapters be installed in an x8 PCIe slot for optimal performance.

|  |            |
|--|------------|
| HP NC532m Dual Port 10GbE Multifunction BL-c Adapter | 467799-B21 |
| HP NC542m Dual Port Flex-10 10GbE BL-c Adapter       | 539857-B21 |
| HP NC552m 10Gb 2-port Flex-10 Ethernet Adapter       | 610609-B21 |
| HP NC553m 10Gb 2-port FlexFabric Adapter             | 613431-B21 |

#### HP Fibre Channel Mezzanine Options

##### 8Gb Fibre Channel mezzanine adapters

|   |            |
|---|------------|
| Emulex LPe1205 8Gb Fibre Channel Host Bus Adapter for c-Class BladeSystem | 456972-B21 |
| QLogic QMH2562 8Gb Fibre Channel Host Bus Adapter for c-Class BladeSystem | 451871-B21 |

#### HP Processors

**NOTE:** The BL620c G7 supports one or two processors.

**NOTE:** The minimum processor configuration is one processor that must be installed in socket CPU1.

**NOTE:** All processors within the server must be identical.

**NOTE:** All -B21 processor kits listed below contain one (1) processor.

**NOTE:** If upgrading an existing BL620c G7 server to a different processor, the server's ROM must be flashed to the latest BIOS prior to the upgrade.

**NOTE:** Intel® Xeon® E7-2800/8867L series processors cannot be used to upgrade a ProLiant BL620c G7 server blade with Intel® Xeon® 6500/7500 series processors.

##### Ten-Core Processors

|  |            |
|--|------------|
| HP BL620c G7 Intel® Xeon® E7-2870 (2.40GHz/10-core/30MB/130W) Processor Kit  | 643749-B21 |
| HP BL620c G7 Intel® Xeon® E7-2860 (2.26GHz/10-core/24MB/130W) Processor Kit  | 643751-B21 |
| HP BL620c G7 Intel® Xeon® E7-2850 (2.0GHz/10-core/24MB/130W) Processor Kit   | 643753-B21 |
| HP BL620c G7 Intel® Xeon® E7-8867L (2.13GHz/10-core/30MB/105W) Processor Kit | 643761-B21 |

##### Eight-Core Processors

|  |            |
|--|------------|
| HP BL620c G7 Intel® Xeon® E7-2830 (2.13GHz/8-core/24MB/105W) Processor Kit | 643755-B21 |
| HP BL620c G7 Intel® Xeon® E7-2820 (2.0GHz/8-core/18MB/105W) Processor Kit  | 643757-B21 |

##### Six-Core Processors

|  |            |
|--|------------|
| HP BL620c G7 Intel® Xeon® E7-2803 (1.73GHz/6-core/18MB/105W) Processor Kit | 643759-B21 |
|--|------------|

#### HP Memory

**NOTE:** All DDR3 memory option kits consist of one RDIMM per kit.

**NOTE:** See the "Memory" section for memory guidelines, installation rules, and additional general information.

### Core Options

#### Registered DIMMs (RDIMMs)

|  |            |
|--|------------|
| HP 4GB (1x4GB) Dual Rank x4 PC3-10600 (DDR3-1333) Registered CAS-9 Memory Kit            | 500658-B21 |
| HP 8GB (1x8GB) Dual Rank x4 PC3-10600 (DDR3-1333) Registered CAS-9 Memory Kit            | 500662-B21 |
| HP 8GB (1x8GB) Dual Rank x4 PC3L-10600 (DDR3-1333) Registered CAS-9 Low Power Memory Kit | 604506-B21 |
| HP 16GB (1x16GB) Dual Rank x4 PC3L-10600 (DDR3-1333) Registered CAS-9 LP Memory Kit      | 627812-B21 |
| HP 32GB (1x32GB) Quad Rank x4 PC3L-8500 (DDR3-1066) Registered CAS-7 LP Memory Kit       | 627814-B21 |

### HP Hard Drives

**NOTE:** The components of a storage subsystem (e.g. the drive, the HBA/controller, firmware, and the server backplane) should operate at the same data transfer rate or the system bandwidth will be negotiated down to an acceptable level for all components.

**NOTE:** Hard drives have either a one year or three year warranty; refer to the specific hard drive QuickSpecs for details.

**NOTE:** Two drives are required for RAID 0 and 1.

**NOTE:** SAS, SATA, and/or SSD drives cannot be mixed within the server.

#### 6G SAS Hot Plug SFF (2.5-inch) Dual Port Enterprise Drives

|   |            |
|---|------------|
| HP 1.2TB 6G SAS 10K rpm SFF (2.5-inch) Dual Port Enterprise 3yr Warranty Hard Drive | 718160-B21 |
| HP 900GB 6G SAS 10K rpm SFF (2.5-inch) Dual Port Enterprise 3yr Warranty Hard Drive | 619291-B21 |
| HP 600GB 6G SAS 10K rpm SFF (2.5-inch) Dual Port Enterprise 3yr Warranty Hard Drive | 581286-B21 |
| HP 450GB 6G SAS 10K rpm SFF (2.5-inch) Dual Port Enterprise 3yr Warranty Hard Drive | 581284-B21 |
| HP 300GB 6G SAS 15K rpm SFF (2.5-inch) Hot Plug Enterprise 3yr Warranty Hard Drive  | 627117-B21 |
| HP 300GB 6G SAS 10K rpm SFF (2.5-inch) Dual Port Enterprise 3yr Warranty Hard Drive | 507127-B21 |
| HP 146GB 6G SAS 15K rpm SFF (2.5-inch) Dual Port Enterprise 3yr Warranty Hard Drive | 512547-B21 |
| HP 600GB 12G SAS 15K rpm SFF (2.5-inch) Enterprise 3yr Warranty Hard Drive          | 785103-B21 |
| HP 450GB 12G SAS 15K rpm SFF (2.5-inch) Enterprise 3yr Warranty Hard Drive          | 785101-B21 |
| HP 300GB 12G SAS 15K rpm SFF (2.5-inch) Enterprise 3yr Warranty Hard Drive          | 785099-B21 |

#### 6G SAS Hot Plug SFF (2.5-inch) Midline (MDL) Drives

|   |            |
|---|------------|
| HP 1TB 6G SAS 7.2K rpm SFF (2.5-inch) Dual Port Midline 1yr Warranty Hard Drive   | 605835-B21 |
| HP 500GB 6G SAS 7.2K rpm SFF (2.5-inch) Dual Port Midline 1yr Warranty Hard Drive | 507610-B21 |

**NOTE:** Please see the QuickSpecs for additional information:

[http://h18000.www1.hp.com/products/quickspecs/12244\\_div/12244\\_div.html](http://h18000.www1.hp.com/products/quickspecs/12244_div/12244_div.html)  
(Worldwide)

#### 12G SAS Hot Plug ME SFF (2.5-inch) Enterprise Mainstream SSD

|  |            |
|--|------------|
| HP 800GB 12G SAS Mainstream Endurance SFF 2.5-in Enterprise Mainstream 3yr Wty Solid State Drive | 741144-B21 |
| HP 400GB 12G SAS Mainstream Endurance SFF 2.5-in Enterprise Mainstream 3yr Wty Solid State Drive | 741140-B21 |

### Core Options

|  |            |
|--|------------|
| HP 200GB 12G SAS Mainstream Endurance SFF 2.5-in Enterprise Mainstream 3yr Wty Solid State Drive   | 741136-B21 |
| <b>SAS Hot Plug HE SFF (2.5-inch) Enterprise Performance SSD</b>   |            |
| HP 800GB 12G SAS High Endurance SFF 2.5-in Enterprise Performance 3yr Wty Solid State Drive  | 741157-B21 |
| HP 400GB 12G SAS High Endurance SFF 2.5-in Enterprise Performance 3yr Wty Solid State Drive  | 741153-B21 |
| HP 200GB 12G SAS High Endurance SFF 2.5-in Enterprise Performance 3yr Wty Solid State Drive  | 741148-B21 |
| <b>SATA Hot Plug SFF (2.5-inch) Midline (MDL) Drives</b>   |            |
| HP 1TB 3G SATA 7.2K rpm SFF (2.5-inch) Hot Plug Midline 1yr Warranty Hard Drive  | 625609-B21 |
| HP 500GB 3G SATA 7.2K rpm SFF (2.5-inch) Midline 1yr Warranty Hard Drive   | 507750-B21 |
| <b>NOTE:</b> Please see the QuickSpecs for additional information:<br><a href="http://h18000.www1.hp.com/products/quickspecs/13021_div/13021_div.html">http://h18000.www1.hp.com/products/quickspecs/13021_div/13021_div.html</a><br>(Worldwide) |            |
| <b>6G SATA Value Endurance Hot Plug SFF (2.5-inch) Enterprise Boot Solid State Drives</b>  |            |
| <b>NOTE:</b> These drives support G7 servers only.   |            |
| HP 120GB 6G SATA Value Endurance SFF 2.5-in Enterprise Boot 3yr Wty Solid State Drive  | 728726-B21 |
| HP 80GB 6G SATA Value Endurance SFF 2.5-in Enterprise Boot 3yr Wty Solid State Drive   | 734366-B21 |
| <b>6G SATA VE Hot Plug SFF(2.5-inch) Enterprise Value G1 Solid State Drives</b>  |            |
| HP 480GB 6G SATA Value Endurance SFF 2.5-in Enterprise Value 3yr Wty G1 Solid State Drive  | 756666-B21 |
| HP 240GB 6G SATA Value Endurance SFF 2.5-in Enterprise Value 3yr Wty G1 Solid State Drive  | 756651-B21 |
| HP 120GB 6G SATA Value Endurance SFF 2.5-in Enterprise Value 3yr Wty G1 Solid State Drive  | 756630-B21 |
| <b>6G SATA LE Hot Plug SFF(2.5-inch) EL G1 Solid State Drives</b>  |            |
| HP 960GB 6G SATA Light Endurance SFF 2.5-in Enterprise Light 3yr Wty G1 Solid State Drive  | 756611-B21 |
| <b>6G SATA Value Endurance Hot Plug SFF (2.5-inch) Enterprise Value Solid State Drives</b>   |            |
| <b>NOTE:</b> These drives support G7 servers only.   |            |
| HP 1.6TB 6G SATA Value Endurance SFF 2.5-in Enterprise Value 3yr Wty Solid State Drive   | 757351-B21 |
| HP 800GB 6G SATA Value Endurance SFF 2.5-in Enterprise Value 3yr Wty Solid State Drive   | 728743-B21 |
| HP 600GB 6G SATA Value Endurance SFF 2.5-in Enterprise Value 3yr Wty Solid State Drive   | 739904-B21 |
| <b>NOTE:</b> This drive supports G7 servers only.  |            |
| HP 480GB 6G SATA Value Endurance SFF 2.5-in Enterprise Value 3yr Wty Solid State Drive   | 728739-B21 |
| HP 300GB 6G SATA Value Endurance SFF 2.5-in Enterprise Value 3yr Wty Solid State Drive   | 739894-B21 |
| <b>NOTE:</b> This drive supports G7 servers only.  |            |
| HP 240GB 6G SATA Value Endurance SFF 2.5-in Enterprise Value 3yr Wty Solid State Drive   | 728735-B21 |

### Core Options

#### **6G SATA ME Hot Plug SFF (2.5-inch) Enterprise Mainstream Solid State Drives**

**NOTE:** These drives support G6 and G7 servers only.

HP 800GB 6G SATA Mainstream Endurance SFF 2.5-in Enterprise Mainstream 3yr Wty Solid State Drive 730065-B21

HP 400GB 6G SATA Mainstream Endurance SFF 2.5-in Enterprise Mainstream 3yr Wty Solid State Drive 730063-B21

HP 200GB 6G SATA Mainstream Endurance SFF 2.5-in Enterprise Mainstream 3yr Wty Solid State Drive 730061-B21

HP 100GB 6G SATA Mainstream Endurance SFF 2.5-in Enterprise Mainstream 3yr Wty Solid State Drive 730059-B21

**NOTE:** Please see the QuickSpecs for additional information:

[http://h18000.www1.hp.com/products/quickspecs/13021\\_div/13021\\_div.html](http://h18000.www1.hp.com/products/quickspecs/13021_div/13021_div.html)

### Additional Options

#### HP Insight Software

##### Insight Control

HP Insight Control including 1yr 24x7 Technical Support and Updates Single Server License C6N27A

HP Insight Control including 1yr 24x7 Technical Support and Updates Electronic License C6N28ABE

HP Insight Control including 1yr 24x7 Support ProLiant ML/DL/BL-bundle FIO Electronic License C6N36ABE

HP Insight Control Server Provisioning Media Kit BD883A

HP Insight Management Media Kit C6N31A

**NOTE:** HP Insight Management Media Kit contains DVDs without licenses. Contains HP Systems Insight Manager, HP Insight Control, HP Matrix Operating Environment, and Virtual Connect Enterprise Manager software. Uses an integrated installer to perform quick and accurate software installation and updates.

**NOTE:** Licenses ship without media. The Insight Control Media Kit can be ordered separately, or can be downloaded at: <http://www.hp.com/go/insightupdates>.

**NOTE:** Customer will receive a license entitlement certificate, which must be redeemed online or via fax in order to obtain the license activation key(s). Includes one year of 24 x 7 HP Software Technical Support Service.

**NOTE:** For additional License Kits, please see the QuickSpecs at:

[http://h18000.www1.hp.com/products/quickspecs/12631\\_div/12631\\_div.html](http://h18000.www1.hp.com/products/quickspecs/12631_div/12631_div.html) (Worldwide)

##### HP Integrated Lights-Out (iLO) Advanced for ProLiant BladeSystem Remote Management

HP iLO Advanced for BladeSystem including 3yr 24x7 Technical Support and Updates E-LTU E6U63ABE

HP iLO Advanced Blade 1 Server License with 3yr 24x7 Tech Support and Updates BD502A

HP iLO Advanced for BladeSystem including 1yr 24x7 Support Eight Server License 512489-B21

HP iLO Advanced for BladeSystem including 1yr 24x7 Technical Support and Updates E-LTU E6U60ABE

HP iLO Advanced for BladeSystem including 1yr 24x7 Support Single Server License 512488-B21

**NOTE:** Customer will receive a license entitlement certificate, which must be redeemed online or via fax in order to obtain the license activation key(s). Includes one year of 24 x 7 HP Software Technical Support Service

**NOTE:** For additional license kits, including electronic delivery options, please see the iLO QuickSpecs at:

[http://h18000.www1.hp.com/products/quickspecs/14276\\_div/14276\\_div.html](http://h18000.www1.hp.com/products/quickspecs/14276_div/14276_div.html) (Worldwide)

#### Converged Infrastructure Management Software

##### HP OneView

##### HP OneView with iLO Advanced

HP OneView incl 3yr 24x7 Supp Phys 1 Svr Lic E5Y34A

HP OneView incl 3yr 24x7 Supp Flex Qty E-LTU E5Y35AAE

HP OneView Media Kit Phys No Lic E5Y37A

##### HP OneView without iLO Advanced

HP OneView w/o iLO Adv incl 3yr 24x7 Supp Phys 1 Svr Lic E5Y38A

HP OneView w/o iLO Adv inc 3yr 24x7 Supp Flex Qty E-LTU E5Y39AAE

**NOTE:** For additional license kits please see the QuickSpecs at

[http://h18004.www1.hp.com/products/quickspecs/14621\\_div/14621\\_div.html](http://h18004.www1.hp.com/products/quickspecs/14621_div/14621_div.html)

#### High Performance

##### HP Cluster Management Utility

### Additional Options

|                 |   |
|-----------------|---|
| <b>Clusters</b> | <p>HP Insight Cluster Management Utility 1yr 24x7 Flexible License <span style="float: right;">QL803B</span></p> <p><b>NOTE:</b> This part number can be used to purchase one certificate for multiple licenses with a single activation key. Each license is for one node (server). Customer will receive a printed end user license agreement and license entitlement certificate via physical shipment. The license entitlement certificate must be redeemed online in order to obtain a license key.</p> <p>HP Insight Cluster Management Utility 3yr 24x7 Flexible License <span style="float: right;">BD476A</span></p> <p><b>NOTE:</b> These part numbers can be used to purchase one certificate for multiple licenses and support with a single activation key. Each license is for one node (server). Customer will receive a printed end user license agreement and license entitlement certificate via physical shipment. The license entitlement certificate must be redeemed online in order to obtain a license key. Customer also will receive a support agreement.</p> <p>HP Insight Cluster Management Utility Media <span style="float: right;">BD477A</span></p> <p><b>NOTE:</b> Order a minimum of one license per cluster to purchase media including software and documentation, which will be delivered to the customer, and also licenses Insight CMU management. No license key is delivered or required.</p> <p><b>NOTE:</b> For additional license kits please see the QuickSpecs at:<br/> <a href="http://h18004.www1.hp.com/products/quickspecs/12612_div/12612_div.html">http://h18004.www1.hp.com/products/quickspecs/12612_div/12612_div.html</a><br/>         (Worldwide)</p> |
|-----------------|---|

|                    |  |
|--------------------|--|
| <b>HP Security</b> | <p>HP Trusted Platform Module Option <span style="float: right;">488069-B21</span></p> <p><b>NOTE:</b> The BL620c G7 server includes a Trusted Platform Module (TPM) connector for an optional TPM 1.2 upgrade. The TPM 1.2 option is a microcontroller chip that can securely store artifacts used to authenticate the server platform. These artifacts can include passwords, certificates and encryption keys. Windows® BitLocker™ Drive Encryption (BitLocker) is a data protection feature available in Windows Server® 2008. BitLocker leverages the enhanced security capabilities of TPM version 1.2. The TPM works with BitLocker to help protect user data and to ensure that a server operating Windows Server 2008 has not been tampered with while the system was offline.</p> <p><b>NOTE:</b> For more information about TPM, including a white paper, go to:<br/> <a href="http://www.hp.com/go/TPM">http://www.hp.com/go/TPM</a>.</p> <p><b>NOTE:</b> ProLiant OS pre-installed units will come with the partition required for TPM deployment.</p> <p><b>NOTE:</b> The TPM key is unique to every TPM deployed server and must be retained. Misplacing or losing the key could result in data loss.</p> |
|--------------------|--|

|                               |  |
|-------------------------------|--|
| <b>HP Storage Controllers</b> | <p><b>NOTE:</b> The P410i is configured with no cache allowing the end user to select the desired cache option (if cache is desired in the first place).</p> <p><b>NOTE:</b> RAID 0 and 1 are supported on the P410i without the need for a cache option.</p> <p><b>NOTE:</b> The server supports up to a combined total of two (2) battery cache options for the P410i and/or optional Smart Array RAID controllers.</p> <p><b>HP Smart Array P711m Controller</b></p> <p>HP Smart Array P711m/1G 6Gb FBWC 4-ports Ext Mezzanine SAS Controller <span style="float: right;">513778-B21</span></p> <p><b>HP Smart Array P712m Controller</b></p> <p>HP Smart Array P712m/256 6Gb 2-ports Int/2-ports Ext Mezzanine SAS Controller <span style="float: right;">488348-B21</span></p> <p><b>HP Smart Array P731m 512 Controller</b></p> <p>HP Smart Array P731m/512 FBWC 6Gb 4-ports Ext Mezzanine SAS Controller <span style="float: right;">698536-B21</span></p> <p><b>Optional Upgrades</b></p> <p>HP 512MB Flash Backed Write Cache <span style="float: right;">534916-B21</span></p> <p><b>NOTE:</b> This is an option for the HP Smart Array P410i Controller (P410i is standard integrated controller).</p> <p>HP 1GB Flash Backed Cache <span style="float: right;">534562-B21</span></p> |
|-------------------------------|--|

### Additional Options

**NOTE:** This is an option for the HP Smart Array P410i Controller (P410i is standard integrated controller).

HP Smart Array P-Series Low Profile Battery 452348-B21

HP Smart Array Advanced Pack including 1yr 24x7 Technical Support and Updates Single Server License 516471-B21

**NOTE:** The above HP Smart Array Advanced Pack and any above cache option are required to enable Smart Array Advanced Pack features on the P410i. For more information go to: <http://www.hp.com/go/saap>.

**NOTE:** The Smart Array Advanced Pack is hosted on the P410i Smart Array Controller hardware firmware stack.

**NOTE:** Please see the QuickSpecs for Technical Specifications and additional information:

[http://h18000.www1.hp.com/products/quickspecs/14035\\_div/14035\\_div.html](http://h18000.www1.hp.com/products/quickspecs/14035_div/14035_div.html) (Smart Array P711m Controller)

[http://h18000.www1.hp.com/products/quickspecs/13296\\_div/13296\\_div.html](http://h18000.www1.hp.com/products/quickspecs/13296_div/13296_div.html) (Smart Array P712m Controller)

[http://h18000.www1.hp.com/products/quickspecs/13200\\_div/13200\\_div.html](http://h18000.www1.hp.com/products/quickspecs/13200_div/13200_div.html) (Worldwide) (Smart Array Advanced Pack)

#### HP c-Class Mezzanines

##### HP InfiniBand Mezzanine Options

HP 4X QDR QLogic InfiniBand Dual Port Mezzanine HCA for c-Class BladeSystem 583210-B21

HP BL c-Class PCI Express Mezzanine Pass Thru Option Kit 431643-B21

**NOTE:** The HP PCI Express Mezzanine Pass-Thru Card is required to support the HP Ultrium Tape Blades and the PCI Expansion Blade. Up to two Ultrium Tape and/or PCI Expansion Blades are supported per server mix and match.

**NOTE:** The HP PCI Express Mezzanine Pass-Thru Card can be placed in mezzanine slot 2 and/or 3.

#### HP Ultrium Tape Blades

HP StoreEver LTO-4 Ultrium SB1760c Tape Blade AQ697B

HP StoreEver LTO-5 Ultrium SB3000c Tape Blade BS580B

**NOTE:** The HP PCI Express Mezzanine Pass-Thru Card (P/N 431643-B21) is required to support the Ultrium Tape Blades with the BL620c G7. Up to two storage blades are supported per server mix and match (Ultrium Tape, PCI Expansion Blades, and/or Storage Expansion Blades).

**NOTE:** The HP PCI Express Mezzanine Pass-Thru Card can be placed in mezzanine slot 2 and/or 3.

HP D2200sb PCIe Storage Blade AP880A

**NOTE:** The HP PCI Express Mezzanine Pass-Thru Card (P/N 431643-B21) is required to support the HP D2200sb PCIe Storage Blade with the BL620c G7. Up to two storage blades are supported per server mix and match (Ultrium Tape, PCI Expansion Blades, and/or Storage Expansion Blades).

**NOTE:** The HP PCI Express Mezzanine Pass-Thru Card can be placed in mezzanine slot 2 and/or 3.

**NOTE:** Please see the HP s D2200sb PCIe Storage Blade QuickSpecs for technical specifications and additional information at:

<http://h18006.www1.hp.com/storage/bladesystem/index.html>

#### HP Expansion Blade

HP BLc PCI Expansion Blade 448018-B21

**NOTE:** Ships with one pre-installed PCI-X connect board. Also includes one PCIe connect board which requires installation.

**NOTE:** The HP PCI Express Mezzanine Pass-Thru Card (P/N 431643-B21) is required to

### Additional Options

support the HP PCI Expansion Blade with the BL620c G7. Up to two expansion blades are supported per server mix and match (Ultrium Tape, PCI Expansion Blades, and/or Storage Expansion Blades).

**NOTE:** The HP PCI Express Mezzanine Pass-Thru Card can be placed in mezzanine slot 2 and/or 3.

**NOTE:** In a c3000 rack enclosure where the blades are installed horizontally, up to two expansion blades may installed in the two slots created by the mini divider in the top half of the enclosure with a BL620c G7 installed in the lower half of the enclosure.

**NOTE:** In a c3000 tower and c7000 rack enclosure where the blades are installed vertically, two expansion blades may installed in the blade slots adjacent to the BL620c G7 by staking one on top of another via a blade coupler that is included with the PCI Express Mezzanine Pass-Thru Card and the expansion blades. If a single expansion blade is installed, it must be installed in the lower slot adjacent to the BL620c G7; a half-height server may be installed above the expansion blade.

**NOTE:** Please see the HP PCI Expansion Blade QuickSpecs for technical specifications and additional information at

<http://h18004.www1.hp.com/products/blades/expansion/index.html>

#### HP Flash Media Kits for USB Drives

HP USB Standard Keyboard DT528A ABA

DT528A#ABA

#### HP Enterprise Mainstream Flash Media Kits for Memory Cards

HP 8GB USB Enterprise Mainstream Flash Media Drive Key Kit

737953-B21

HP 8GB microSD Enterprise Mainstream Flash Media Kit

726116-B21

**NOTE:** Please see the QuickSpecs for Technical Specifications and additional information:

[http://h18000.www1.hp.com/products/quickspecs/13971\\_div/13971\\_div.html](http://h18000.www1.hp.com/products/quickspecs/13971_div/13971_div.html)

#### HP Care Pack Services

**Proactive Care** - Collaborative Support plus Proactive services delivered by the on shore/near shore Advanced Solution Center (ASC) and backed by the global delivery organization, end-to-end case ownership from a Technical Solution Specialists and Technical Account Manager who remotely delivers firmware/software revision management, proactive scans and incident trend reports. Recommended for customers running a virtualized infrastructure and/or customers who desire an enhanced call support experience.

HP 3 year 4 hour 24x7 ProLiant BL6xxc Proactive Care Service

U3B32E

HP 3 year 4 hour 24x7 with Defective Media Retention ProLiant BL6xxc Proactive Care Service

U3B35E

HP 3 year 6 hour Call To Repair 24x7 ProLiant BL6xxc Proactive Care Service

U3B38E

HP 3 year 6hr Call To Repair 24x7 with Defective Media Retention ProLiant BL6xxc Proactive Care SVC

U3B41E

**Proactive Care Personalized Support Environmental Option** - to add an onsite Account Support Manager (ASM) to Proactive Care. ASM is an assigned resource who delivers support planning and brings technical expertise and best practices advice for the customer's environment.

HP 3 year ISS ProactiveCare Personalized Support

U6W98E

**Installation Services** - reduce the time required to get your system up and running and help minimize disruptions to your business.

HP Install c-Class Server Blade Service

UE493E

HP Hardware Installation during Non Standard Hours c-Class Server Blade Service

UG869E

Additional HP Care Pack services can be found at:

<http://www.hp.com/go/cpc>



### Memory

#### Memory Subsystem Architecture

For maximum memory bandwidth, performance, and capacity, each processor socket contains two memory controllers. Each memory controller connects to two Intel® 7510 Scalable Memory Buffers (SMB) for a total of four SMBs per processor. Each SMB connects to four RDIMMs for a grand total of sixteen RDIMMs per installed processor (32 total RDIMMs per BL620c G7 server) providing up to 1.0TB of memory (32GB RDIMMs x 32 DIMM slots).

All RDIMMs will operate at the highest possible speed for a given processor. Memory speed is not affected by number of RDIMMs or ranks. However, memory speed is a function of the processor QPI bus speed per the following:

- Processors with a QPI speed of 6.40GT will operate memory at 1066MHz
- Processors with a QPI speed of 5.86GT will operate memory at 978MHz
- Processors with a QPI speed of 4.80GT will operate memory at 800MHz

#### DDR3 and DDR3L Memory Population Guidelines

An overview of the RDIMM installation guidelines are summarized below. For detailed memory configuration rules and guidelines, please see the BL620c G7 user guide at: [www.hp.com/support](http://www.hp.com/support) and the Online DDR3 Memory Configuration Tool at: [www.hp.com/go/ddr3memory-configurator](http://www.hp.com/go/ddr3memory-configurator)

1. Install only HP BL620c G7 supported DDR3 and DDR3L RDIMMs.
2. RDIMMs must be installed for processor 1.
3. Populate RDIMM slots for a processor only if the processor is installed.
4. To maximize performance in multi-processor configurations, distribute the total memory capacity between all processors as evenly as possible.
5. The minimum configuration is two RDIMMs installed on processor 1.
6. RDIMMs must be installed in pairs with identical characteristics. When possible, for configuration simplicity, HP recommends using RDIMMs with identical part numbers throughout the system.
7. For best performance, HP recommends that RDIMM pairs be populated in sequence by letter designation. Install RDIMM pair (4A, 5A) first, followed by RDIMM pair (12B, 16B), RDIMM pair (2C, 7C), RDIMM pair (10D, 14D), RDIMM pair (3E, 6E), RDIMM pair (11F, 15F), and RDIMM pair (1G, 8G).
8. When installing mixed rank RDIMMs for any processor, RDIMMs with the highest number of ranks must be installed in the white RDIMM connector locations. This guarantees proper electrical signaling on the DDR3 channel since RDIMMs with higher rank counts present larger electrical loading on the DDR3 channel and must be populated at the end point of the channel.
9. 1.5V DDR3 and 1.35V DDR3L RDIMMs may be installed within the same socket. In this case, all RDIMMs on that socket will operate at 1.5V.
10. The BL620c G7 supports memory hemisphere mode (for a high-performance memory interleaving technology) as well as several advanced memory modes (AMP) including advanced ECC, online spare, and mirrored memory. Please see the BL620c G7 user guide at: [www.hp.com/support](http://www.hp.com/support) for a description of each of these features and their memory configuration guidelines.
11. There are several additional recommended steps for memory performance optimization, please see the BL620c G7 user guide at: [www.hp.com/support](http://www.hp.com/support) for a complete list.

#### Standard Memory

32GB (4 x 8GB) of dual-rank DDR3-1066 RDIMMs

#### Standard Memory Plus Optional Memory

Up to 832GB of memory is available with the installation of optional DDR3 RDIMM memory expansion kits

#### Model Standard Memory Replaced with Optional Memory

Up to 1.0TB of memory is available with the removal of standard memory and the installation of optional DDR3 RDIMM memory expansion kits

#### ProLiant BL620c G7 Memory Configurations

### Memory

| Memory   |                                | Processor 1 RDIMM Slots<br>(Processor 2 has the same DIMM slot numeration, but all slots are empty) |            |            |            |            |            |            |            |
|----------|--------------------------------|---|------------|------------|------------|------------|------------|------------|------------|
| Standard | 32GB total                     | <b>1G</b>   | <b>2C</b>  | <b>3E</b>  | <b>4A</b>  | <b>5A</b>  | <b>6E</b>  | <b>7C</b>  | <b>8G</b>  |
|          |                                | Empty   | Empty      | Empty      | 8GB        | 8GB        | Empty      | Empty      | Empty      |
|          |                                | <b>9H</b>   | <b>10D</b> | <b>11F</b> | <b>12B</b> | <b>13H</b> | <b>14D</b> | <b>15F</b> | <b>16B</b> |
|          |                                | Empty   | Empty      | Empty      | Empty      | Empty      | Empty      | Empty      | Empty      |
|          |                                | Processor 1 RDIMM Slots<br>(Processor 2 has the same RDIMM configuration)                           |            |            |            |            |            |            |            |
| Optional | 416GB per CPU<br>(832GB total) | <b>1G</b>   | <b>2C</b>  | <b>3E</b>  | <b>4A</b>  | <b>5A</b>  | <b>6E</b>  | <b>7C</b>  | <b>8G</b>  |
|          |                                | 32GB  | 32GB       | 32GB       | 8GB        | 8GB        | 32GB       | 32GB       | 32GB       |
|          |                                | <b>9H</b>   | <b>10D</b> | <b>11F</b> | <b>12B</b> | <b>13H</b> | <b>14D</b> | <b>15F</b> | <b>16B</b> |
|          |                                | 32GB  | 32GB       | 32GB       | 32GB       | 32GB       | 32GB       | 32GB       | 8GB        |
|          |                                | Processor 1 RDIMM Slots<br>(Processor 2 has the same RDIMM configuration)                           |            |            |            |            |            |            |            |
| Maximum  | 512GB per CPU<br>(1.0TB total) | <b>1G</b>   | <b>2C</b>  | <b>3E</b>  | <b>4A</b>  | <b>5A</b>  | <b>6E</b>  | <b>7C</b>  | <b>8G</b>  |
|          |                                | 32GB  | 32GB       | 32GB       | 32GB       | 32GB       | 32GB       | 32GB       | 32GB       |
|          |                                | <b>9H</b>   | <b>10D</b> | <b>11F</b> | <b>12B</b> | <b>13H</b> | <b>14D</b> | <b>15F</b> | <b>16B</b> |
|          |                                | 32GB  | 32GB       | 32GB       | 32GB       | 32GB       | 32GB       | 32GB       | 32GB       |

#### HP ProLiant BL620c G7 memory options:

##### HP Memory

##### Registered DIMMs (RDIMMs)

Following are the BL620c G7 memory options available from HP:

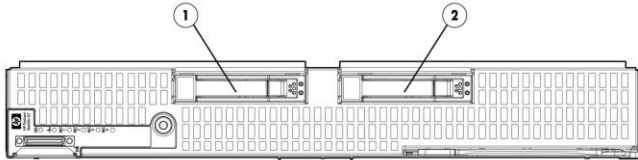
|  |            |
|--|------------|
| HP 4GB (1x4GB) Dual Rank x4 PC3-10600 (DDR3-1333) Registered CAS-9 Memory Kit            | 500658-B21 |
| HP 8GB (1x8GB) Dual Rank x4 PC3-10600 (DDR3-1333) Registered CAS-9 Memory Kit            | 500662-B21 |
| HP 8GB (1x8GB) Dual Rank x4 PC3L-10600 (DDR3-1333) Registered CAS-9 Low Power Memory Kit | 604506-B21 |
| HP 16GB (1x16GB) Dual Rank x4 PC3L-10600 (DDR3-1333) Registered CAS-9 LP Memory Kit      | 627812-B21 |
| HP 32GB (1x32GB) Quad Rank x4 PC3L-8500 (DDR3-1066) Registered CAS-7 LP Memory Kit       | 627814-B21 |

**NOTE:** All DDR3 memory option kits consist of one RDIMM per kit.

**NOTE:** For detailed memory configuration rules and guidelines, please see the BL620c G7 user guide at: [www.hp.com/support](http://www.hp.com/support) and use the Online DDR3 Memory Configuration Tool at: [www.hp.com/go/ddr3memory-configurator](http://www.hp.com/go/ddr3memory-configurator)

### Storage

1-2 2 x SFF SAS/SATA/SDD hot-plug hard drives



#### Hard Drives

**NOTE:** The components of a storage subsystem (e.g. the drive, the HBA/controller, firmware, and the server backplane) should operate at the same data transfer rate or the system bandwidth will be negotiated down to an acceptable level for all components.

**NOTE:** Hard drives have either a one year or three year warranty; refer to the specific hard drive QuickSpecs for details.

**NOTE:** SAS, SATA, and/or SSD drives cannot be mixed within the server.

#### SAS Hot Plug SFF (2.5-inch) Enterprise (ENT) Drives

|                  | Quantity Supported | Position Supported | Controller                   |
|------------------|--------------------|--------------------|------------------------------|
| 1.2TB 6G SAS 10K | 2                  | 1-2                | Smart Array P410i Controller |
| 900GB 6G SAS 10K |                    |                    |                              |
| 600GB 6G SAS 10K |                    |                    |                              |
| 450GB 6G SAS 10K |                    |                    |                              |
| 300GB 6G SAS 15K |                    |                    |                              |
| 300GB 6G SAS 10K |                    |                    |                              |
| 146GB 6G SAS 15K |                    |                    |                              |

#### SAS Hot Plug SFF (2.5-inch) Midline (MDL) Drives

|                   | Quantity Supported | Position Supported | Controller                      |
|-------------------|--------------------|--------------------|---------------------------------|
| 1.0TB 6G SAS 7.2K | 2                  | 1-2                | HP Smart Array P410i Controller |
| 500GB 6G SAS 7.2K |                    |                    |                                 |

#### SATA Hot Plug SFF (2.5-inch) Midline (MDL) Drives

|                    | Quantity Supported | Position Supported | Controller                      |
|--------------------|--------------------|--------------------|---------------------------------|
| 1.0TB 3G SATA 7.2K | 2                  | 1-2                | HP Smart Array P410i Controller |
| 500GB 3G SATA 7.2K |                    |                    |                                 |

#### 6G SATA Value Endurance Hot Plug SFF (2.5-inch) Enterprise Boot Solid State Drives

|                     | Quantity Supported | Position Supported | Controller                      |
|---------------------|--------------------|--------------------|---------------------------------|
| 120GB 6G SATA VESFF | 2                  | 1-2                | HP Smart Array P410i Controller |
| 80GB 6G SATA VESFF  |                    |                    |                                 |

#### 6G SATA Value Endurance Hot Plug SFF (2.5-inch) Enterprise Value Solid State Drives

|                      | Quantity Supported | Position Supported | Controller                      |
|----------------------|--------------------|--------------------|---------------------------------|
| 800GB 6G SATA VE SFF | 2                  | 1-2                | HP Smart Array P410i Controller |
| 600GB 6G SATA VE SFF |                    |                    |                                 |
| 480GB 6G SATA VE SFF |                    |                    |                                 |
| 300GB 6G SATA VE SFF |                    |                    |                                 |
| 240GB 6G SATA VE SFF |                    |                    |                                 |

### Storage

#### 6G SATA ME Hot Plug SFF (2.5-inch) Enterprise Mainstream Solid State Drives

|                      | Quantity Supported | Position Supported | Controller                      |
|----------------------|--------------------|--------------------|---------------------------------|
| 800GB 6G SATA ME SFF | 2                  | 1-2                | HP Smart Array P410i Controller |
| 400GB 6G SATA ME SFF |                    |                    |                                 |
| 200GB 6G SATA ME SFF |                    |                    |                                 |
| 100GB 6G SATA ME SFF |                    |                    |                                 |

#### 6G SAS Hot Plug Enterprise Performance Solid State Drives

|                  | Quantity Supported | Position Supported | Controller                      |
|------------------|--------------------|--------------------|---------------------------------|
| 400GB 6G SAS SLC | 2                  | 1-2                | HP Smart Array P410i Controller |
| 200GB 6G SAS SLC |                    |                    |                                 |

#### 6G SAS ME Hot Plug SFF (2.5-inch) Enterprise Mainstream Solid State Drives

|                  | Quantity Supported | Position Supported | Controller                      |
|------------------|--------------------|--------------------|---------------------------------|
| 800GB 6G SAS MLC | 2                  | 1-2                | HP Smart Array P410i Controller |
| 400GB 6G SAS MLC |                    |                    |                                 |
| 200GB 6G SAS MLC |                    |                    |                                 |

### Technical Specifications

|   |  |   |           |  |   |  |         |                  |   |
|---|--|---|-----------|--|---|--|---------|------------------|---|
| <b>System Unit</b>  | <b>Dimensions</b><br>(H x W x D)   | Full height, single-wide server blade:<br>14.46 x 2.19 x 20.09 in (36.73 x 5.49 x 51.03 cm)   |           |  |   |  |         |                  |   |
|   | <b>Weight</b><br>(approximate)   | <table border="0"> <tr> <td>Maximum</td> <td>24.24lbs (11.00kg)</td> </tr> <tr> <td colspan="2">(all hard drives, DIMMs, mezzanine cards, and processors installed)</td> </tr> <tr> <td>Minimum</td> <td>17.9lbs (8.12kg)</td> </tr> <tr> <td colspan="2">(two hard drives, four DIMMs, no mezzanine cards, and two processors installed)</td> </tr> </table>   | Maximum   | 24.24lbs (11.00kg)   | (all hard drives, DIMMs, mezzanine cards, and processors installed) |  | Minimum | 17.9lbs (8.12kg) | (two hard drives, four DIMMs, no mezzanine cards, and two processors installed) |
| Maximum   | 24.24lbs (11.00kg)   |   |           |  |   |  |         |                  |   |
| (all hard drives, DIMMs, mezzanine cards, and processors installed)             |  |   |           |  |   |  |         |                  |   |
| Minimum   | 17.9lbs (8.12kg)   |   |           |  |   |  |         |                  |   |
| (two hard drives, four DIMMs, no mezzanine cards, and two processors installed) |  |   |           |  |   |  |         |                  |   |
|   | <b>Power Specifications</b>  | <p>For power specifications including input requirements, BTU rating, and power supply output, please see the HP BladeSystem c-Class Enclosures QuickSpecs located at:</p> <p>HP BladeSystem c3000 Enclosure QuickSpecs:<br/> <a href="http://h18000.www1.hp.com/products/quickspecs/12790_div/12790_div.html">http://h18000.www1.hp.com/products/quickspecs/12790_div/12790_div.html</a><br/>                     (Worldwide)</p> <p>HP BladeSystem c7000 Enclosure QuickSpecs:<br/> <a href="http://h18000.www1.hp.com/products/quickspecs/12810_div/12810_div.html">http://h18000.www1.hp.com/products/quickspecs/12810_div/12810_div.html</a><br/>                     (Worldwide)</p> <p><b>NOTE:</b> For optimal cooling and system performance the HP ProLiant BL620c G7 server requires the c7000 enclosure to be configured with 10 fans and the c3000 enclosure to be configured with 6 fans.</p> <p>To review typical system power ratings use the HP BladeSystem Power Sizer available at: <a href="http://www.hp.com/go/ bladesystem/powercalculator">http://www.hp.com/go/ bladesystem/powercalculator</a>.</p> |           |  |   |  |         |                  |   |
|   | <b>System Inlet Temperature</b>  | <table border="0"> <tr> <td>Operating</td> <td>10° to 35°C (50° to 95°F) at sea level with an altitude derating of 1.0°C per every 305 m (1.8°F per every 1000 ft) above sea level to a maximum of 3050 m (10,000 ft), no direct sustained sunlight. Maximum rate of change is 10°C/hr (18°F/hr). The upper limit may be limited by the type and number of options installed. System performance may be reduced if operating with a fan fault or above 30°C (86°F).</td> </tr> <tr> <td>Non-Operating</td> <td>-30° to 60°C (-22° to 140°F), maximum rate of change is 20°C/hr (36°F/hr).</td> </tr> </table>   | Operating | 10° to 35°C (50° to 95°F) at sea level with an altitude derating of 1.0°C per every 305 m (1.8°F per every 1000 ft) above sea level to a maximum of 3050 m (10,000 ft), no direct sustained sunlight. Maximum rate of change is 10°C/hr (18°F/hr). The upper limit may be limited by the type and number of options installed. System performance may be reduced if operating with a fan fault or above 30°C (86°F). | Non-Operating   | -30° to 60°C (-22° to 140°F), maximum rate of change is 20°C/hr (36°F/hr).                       |         |                  |   |
| Operating   | 10° to 35°C (50° to 95°F) at sea level with an altitude derating of 1.0°C per every 305 m (1.8°F per every 1000 ft) above sea level to a maximum of 3050 m (10,000 ft), no direct sustained sunlight. Maximum rate of change is 10°C/hr (18°F/hr). The upper limit may be limited by the type and number of options installed. System performance may be reduced if operating with a fan fault or above 30°C (86°F). |   |           |  |   |  |         |                  |   |
| Non-Operating   | -30° to 60°C (-22° to 140°F), maximum rate of change is 20°C/hr (36°F/hr).   |   |           |  |   |  |         |                  |   |
|   | <b>Relative Humidity</b><br>(non-condensing)   | <table border="0"> <tr> <td>Operating</td> <td>10 to 85% relative humidity (Rh), 28°C (82.4°F) maximum wet bulb temperature, non-condensing.</td> </tr> <tr> <td>Non-Operating</td> <td>10 to 95% relative humidity (Rh), 38.7°C (101.7°F) maximum wet bulb temperature, non-condensing.</td> </tr> </table>  | Operating | 10 to 85% relative humidity (Rh), 28°C (82.4°F) maximum wet bulb temperature, non-condensing.  | Non-Operating   | 10 to 95% relative humidity (Rh), 38.7°C (101.7°F) maximum wet bulb temperature, non-condensing. |         |                  |   |
| Operating   | 10 to 85% relative humidity (Rh), 28°C (82.4°F) maximum wet bulb temperature, non-condensing.  |   |           |  |   |  |         |                  |   |
| Non-Operating   | 10 to 95% relative humidity (Rh), 38.7°C (101.7°F) maximum wet bulb temperature, non-condensing.   |   |           |  |   |  |         |                  |   |
|   | <b>Altitude</b>  | <table border="0"> <tr> <td>Operating</td> <td>3050 m (10,000 ft). This value may be limited by the type and number of options installed. Maximum allowable altitude change rate is 457 m/min (1500 ft/min).</td> </tr> <tr> <td>Non-operating</td> <td>9144 m (30,000 ft). Maximum allowable altitude</td> </tr> </table>  | Operating | 3050 m (10,000 ft). This value may be limited by the type and number of options installed. Maximum allowable altitude change rate is 457 m/min (1500 ft/min).  | Non-operating   | 9144 m (30,000 ft). Maximum allowable altitude   |         |                  |   |
| Operating   | 3050 m (10,000 ft). This value may be limited by the type and number of options installed. Maximum allowable altitude change rate is 457 m/min (1500 ft/min).  |   |           |  |   |  |         |                  |   |
| Non-operating   | 9144 m (30,000 ft). Maximum allowable altitude   |   |           |  |   |  |         |                  |   |

### Technical Specifications

change rate is 457 m/min (1500 ft/min).

#### Acoustic Noise

For acoustic noise specifications, please see the HP BladeSystem c-Class Enclosures QuickSpecs located at:  
 HP BladeSystem c3000 Enclosure QuickSpecs:  
[http://h18000.www1.hp.com/products/quickspecs/12790\\_div/12790\\_div.html](http://h18000.www1.hp.com/products/quickspecs/12790_div/12790_div.html)  
 HP BladeSystem c7000 Enclosure QuickSpecs:  
[http://h18000.www1.hp.com/products/quickspecs/12810\\_div/12810\\_div.html](http://h18000.www1.hp.com/products/quickspecs/12810_div/12810_div.html)

#### Smart Array P410i Controller

##### Disk Drive and Enclosure Interface

6G SAS (Serial Attached SCSI)

3G SATA (Serial Advanced Technology Attachment)

##### SAS Connectors

Two (2) internal (SFF8484) x4 wide port connectors

##### Cache Memory Speed

DDR2-533MHz with 40 or 72-bit wide bus provides up to 4.2 GB/s maximum bandwidth.

##### Server Interface

x4 5G PCIe Gen2 provides 2GB/s maximum bandwidth.

##### SAS Speed

x2 6G SAS provides 1.2GB/s maximum bandwidth.

##### Cache Memory

72-bit 1GB cache; ECC protection, capacitor-backed

##### Logical Drives Supported

Up to 32 logical drives

##### Maximum Logical Drive Capacity

2 TB (2 x 1 TB)

##### Host Memory Addressing

64-bit, supporting greater than 4GB server memory space

##### RAID Support

RAID 0 (Striping)

RAID 1 (Mirroring)

**NOTE:** RAID 0 and 1 require two drives installed in the server.

**NOTE:** RAID 0 and 1 are supported on the P410i without the need for a cache option.

##### Upgradeable Firmware

Upgradeable firmware with recovery ROM capability

#### HP NC553i10Gb FlexFabric Adapter

##### Type

Integrated KR 10GbE with FlexFabric (Flex-10, FCoE, accelerated iSCSI, iSCSI boot, 10GbE, 1GbE, TCP/IP offload engine)

##### Network Processor

Blade Engines 3 (BE3)

##### Data Transfer Method

x8 PCI Express 2.0

##### Network Transfer Rate

20Gbps per port full duplex only (theoretical maximum value)

**NOTE:** Each port is autosensing 1Gb / 10Gb, and can interoperate with 1Gb HP BladeSystem c-Class interconnect components.

**NOTE:** Each port on the NC553i adapter transmits from the server at 20Gbps (theoretical) full duplex.

##### IEEE Compliance

802.1p QoS, 802.1Q VLAN tagging, 802.3ad link aggregation, 802.3ap 10GBase-KR, and 802.3x flow control

##### Standard Features

- ProLiant Teaming including Network Fault Tolerance, Transmit Load Balancing, and Switch-Assisted Load Balancing
- 9K Jumbo frames (4K Jumbo frames when in FCoE mode)
- Microsoft Windows Receive Side Scaling (RSS)
- FCoE or accelerated iSCSI mode
- iSCSI boot
- Flex-10 support
- TCP/IP offload engine
- 10Gb Ethernet or 1Gb Ethernet autosensing
- Microsoft TCP chimney compliant

### Technical Specifications

- Supports 8 Physical Functions (PF)
- Supports 128 Virtual Functions (VF):
  - Up to 32 VFs per PF
  - Support 128 MAC address
- Traffic Shaping and QoS across each VF and PF:
- NIC Fine-grain QoS 10 Mbps to 10Gbps in steps of 10Mbps
- HBA fine-grain QoS 1000 IOPs to 500,000 IOPs in steps of 1000 IOPS
- On-chip VM-VM switching
- Traffic steering and isolation
- Hardware based filtering for 128 VLANIDs with QinQ tag filtering
- Protection against denial-of-service attacks & malfunctioning VMs

#### HP Integrated Lights-Out 3 (iLO 3)

|                                 |  |
|---------------------------------|--|
| <b>Architecture</b>             | PCI Express based health and remote management ASIC  |
| <b>Processor</b>                | PCI Express RISC processor core operating at 250MHz  |
| <b>Upgradeability</b>           | Option firmware upgradeable via Flash ROM  |
| <b>Video Support</b>            | 1600 x 1200 DVR max resolution   |
| <b>Interfaces</b>               | One Ethernet network connection (10/100Mb/s)   |
| <b>Memory</b>                   | 128-MB DDR with ECC  |
| <b>Operating System Support</b> | Microsoft Windows 2008 R2<br>Microsoft Windows 2008 (32 bit and 64 bit)<br>Microsoft Windows Server 2008 Standard Edition (32bit and 64bit)<br>Microsoft Windows Server 2008 Enterprise Edition (32bit and 64bit)<br>Microsoft Windows Server 2003 and Windows Server 2003 R2, and Windows Server 2003 for Extended Systems Standard Edition, Enterprise Edition<br>Red Hat Enterprise Linux 5.4 (32 bit and 64 bit)<br>SUSE LINUX Enterprise Server 11 (32bit and 64bit)<br>SUSE LINUX Enterprise Server 10 (32bit and 64bit)<br>VMware ESX 4.0<br>VMware ESX 3.5.0 |
| <b>Client System Support</b>    | Microsoft Windows 2008 R2<br>Microsoft Windows 7<br>Microsoft Windows XP Professional Edition<br>Microsoft Windows Vista Business and Ultimate Editions<br>Red Hat Enterprise Desktop 5.00<br>SUSE Linux Enterprise Desktop 11<br>SUSE Linux Enterprise Desktop 10   |
| <b>Client Browser Support</b>   | Microsoft Internet Explorer 8<br>Microsoft Internet Explorer 7<br>Microsoft Internet Explorer 6<br>Firefox 3.5 (on supported Windows and Linux systems)<br>Firefox 3.0 (on supported Windows and Linux systems)  |
| <b>Command Line Support</b>     | Secure Shell and serial port access<br>Secure Socket Layer<br>Secure Shell version 2   |

### Technical Specifications

|                                       |   |
|---------------------------------------|---|
| <b>Security</b>                       | Advanced Encryption Standard (AES) and Triple Data Encryption Standard (3DES) on browser, CLP and XML scripting interface<br>AES encryption of video<br>RC4 encryption of video |
| <b>Directory Support Services</b>     | Active Directory v1.0 (Windows 2003)  |
| <b>Driver Support</b>                 | HP ProLiant iLO3 Management Controller Driver Package   |
| <b>Management protocols supported</b> | SNMP, IPMI 2.0 (system and LAN interface), DMTF Systems Management Architecture for Server Hardware Command Line Protocol (SMASH CLP), HP RIBCL XML                             |

---

|   |   |  |
|---|---|--|
| <b>Environment-friendly Products and Approach</b> | <b>End-of-life Management and Recycling</b> | <p>Hewlett-Packard offers end-of-life HP product return, trade-in, and recycling programs in many geographic areas. For trade-in information, please go to: <a href="http://www.hp.com/go/green">http://www.hp.com/go/green</a>. To recycle your product, please go to: <a href="http://www.hp.com/go/green">http://www.hp.com/go/green</a> or contact your nearest HP sales office. Products returned to HP will be recycled, recovered or disposed of in a responsible manner.</p> <p>The EU WEEE directive (2002/95/EC) requires manufacturers to provide treatment information for each product type for use by treatment facilities. This information (product disassembly instructions) is posted on the Hewlett Packard web site at: <a href="http://www.hp.com/go/green">http://www.hp.com/go/green</a>. These instructions may be used by recyclers and other WEEE treatment facilities as well as HP OEM customers who integrate and re-sell HP equipment.</p> |
|---|---|--|

---



### Summary of Changes

| Date        | Version History       | Action  | Description of Change:   |
|-------------|-----------------------|---------|--|
| 09-Feb-2015 | From Version 40 to 41 | Changed | Optional Features and Core Options sections were updated   |
| 01-Dec-2014 | From Version 39 to 40 | Changed | Standard Features and Core Options sections were updated   |
|             |                       | Added   | Skus Added on Hard Drives: <ul style="list-style-type: none"> <li>• 756666-B21</li> <li>• 756651-B21</li> <li>• 756630-B21</li> <li>• 756611-B21</li> <li>• 757351-B21</li> </ul>  |
| 01-Nov-2014 | From Version 38 to 39 | Changed | Service and Support section was updated  |
| 18-Aug-2014 | From Version 37 to 38 | Added   | Skus added on Hard Drives: <ul style="list-style-type: none"> <li>• 785103-B21</li> <li>• 785101-B21</li> <li>• 785099-B21</li> <li>• 741144-B21</li> <li>• 741140-B21</li> <li>• 741136-B21</li> <li>• 741157-B21</li> <li>• 741153-B21</li> <li>• 741148-B21</li> </ul>  |
| 10-Jun-2014 | From Version 36 to 37 | Changed | Enclosures on Standard Features updated<br><br>Descriptions have been updated  |
| 18-Feb-2014 | From Version 35 to 36 | Changed | HP Smart Array P731m Controller was added to Storage Controllers<br><br>HP Flash Media Kits for USB Drives and HP Care Pack Services were revised  |
| 13-Dec-2013 | From Version 34 to 35 | Changed | HP OneView and Converged Infrastructure Management Software were added<br><br>HP 1.2TB 6G SAS 10k rpm SFF SC Dual Port Enterprise 3yr Warranty Hard Drive was added to Hard Drives<br><br>HP 4X QDR InfiniBand ConnectX-2 Dual Port Mezzanine HCA for c-Class BladeSystem was removed from HP c-Class Mezzanines<br><br>HP 8GB USB Enterprise Mainstream Flash Media Drive Key Kit was added and HP 4GB MicroSD Enterprise Performance Flash Media Kit was removed from HP Flash Media Kits for USB Drives |
| 11-Oct-2013 | From Version 33 to 34 | Changed | HP 300 GB and 600 GB SATA Value Endurance SFF Enterprise Boot Solid State Drives were added to Hard Drives<br><br>HP 8GB microSD Enterprise Mainstream Flash Media Kit was added to HP Flash Media Kits for USB Drives<br><br>HP I/O Accelerator Options was removed from Additional Options   |

### Summary of Changes

|             |                       |         |  |
|-------------|-----------------------|---------|--|
| 10-Sep-2013 | From Version 32 to 33 | Changed | High Performance Clusters and Hard Drives were revised   |
| 10-Jun-2013 | From Version 31 to 32 | Changed | <p>HP I/O Accelerator Options was added to Additional Options</p> <p>SATA Hot Plug 2.5" Enterprise Mainstream Solid State Drives were revised in Core Options</p> <p>HP I/O Expansion Options was removed from Additional Options</p>  |
| 13-May-2013 | From Version 30 to 31 | Changed | <p>Standard Features: Changed order of section. Updated I/O Expansion Slots</p> <p>Additional Features: Moved Fibre Channel, Compatible SAN, HP Insight management software, High Performance Clusters, HP Proactive Insight and Factory Express Portfolio for Servers and Storage.</p> <p>Core Options: Updated HP Ethernet Mezzanine Options and HP Hard Drives.</p> <p>Additional Options: Updated HP Insight Software, HP USB and SD Options and HP Care Pack Services sections.</p> |
|             |                       | Removed | Overview: Removed What's New and At A Glance sections.   |
|             |                       | Added   | <p>Standard Features: Added information and notes before Processors section.</p> <p>Added Additional Features section.</p>   |
| 25-Mar-2013 | From Version 29 to 30 | Removed | Removed Platinum reference throughout QS   |
|             |                       | Added   | <p>Overview: Added notes to At A Glance section</p> <p>Configuration Information-Factory Integrated Models: added notes to Step 4</p>  |
| 25-Feb-2013 | From Version 28 to 29 | Changed | <p>Standard Features: Updated Maximum Internal Storage amounts</p> <p>Models Section: Updated Internal Storage amounts</p> <p>Configuration Information - Factory Integrated Models Section: Updated Step 3 software information</p> <p>Additional Options: Updated p/n descriptions in HP Ultrium Tape Blades, update product description for 647444-B21 in HP USB and SD Options and update product descriptions for U6W98E and UG869</p>  |
|             |                       | Added   | <p>Added Platinum description throughout entire QS.</p> <p>Core Options: Added new p/ns and descriptions to HP Hard Drives</p> <p>Additional Options: Added new p/ns and descriptions to HP Insight Software</p> <p>Storage Section: Added new SAS Drive amount</p>  |
| 16-Jan-2013 | From Version 27 to 28 | Added   | Added a new NOTE to the processors section within At A   |

### Summary of Changes

|             |                       |         |   |
|-------------|-----------------------|---------|---|
|             |                       |         | Glance, Step 2 of Configuration Information, and Core Options.  |
| 04-Dec-2012 | From Version 26 to 27 | Removed | Removed Insight Control support for Linux throughout the document.  |
|             |                       | Changed | <p>HP Smart Array P712m/ZM 2-ports Int PCIe x8 SAS Controller Service and Support and Care Pack Services were completely revised.</p> <p>In Configuration Information, updated the model name in Step 1, added a new Step 3, and updated the name of Step 3 to Step 4.</p> <p>In Core Options, updated the Hard Drives/6G SAS ME Hot Plug SFF (2.5-inch) Enterprise Mainstream Solid State Drives section.</p> <p>In Additional Options, updated HP Insight Software, removing Insight Control for Linux.</p> <p>Updated the part descriptions in High Performance Clusters.</p> <p>Updated the Note in HP SD and USB Options.</p> <p>In Storage, updated the Hard Drives/6G SAS ME Hot Plug SFF (2.5-inch) Enterprise Mainstream Solid State Drives section.</p> |
| 24-Sep-2012 | From Version 25 to 26 | Changed | Changes made in Standard Features section.  |
| 13-Aug-2012 | From Version 24 to 25 | Changed | Changes made throughout the QuickSpec.  |
| 18-May-2012 | From Version 23 to 24 | Changed | Changes made throughout the QuickSpec.  |
| 18-May-2012 | From Version 22 to 23 | Changed | Changes made throughout the QuickSpec.  |
| 26-Mar-2012 | From Version 21 to 22 | Changed | Part numbers were revised in High Performance Clusters  |
|             |                       |         | <p>HP Virtual Connect was added to Standard Features</p> <p>New models were added to HP Insight Software</p>  |
| 06-Mar-2012 | From Version 20 to 21 | Changed | Changed a link in the Hard Drives section of Core Options.  |
| 13-Feb-2012 | From Version 19 to 20 | Changed | Changes made to the What's New, Standard Features, Models and Options sections.   |
| 20-Jan-2012 | From Version 18 to 19 | Removed | Removed a NOTE from the Hard Drives section within Core Options and Storage sections.   |
| 20-Dec-2011 | From Version 17 to 18 | Changed | SAS, SATA, and/or SSD drives cannot be mixed within the server note was added to Internal Storage and Hard Drives   |
|             |                       |         | HP 120GB 3G SATA SFF (2.5-inch) Midline 1yr Warranty Solid State Drives was removed from Hard Drives  |
| 14-Nov-2011 | From Version 16 to 17 | Changed | DDR3 memory options part number decoder image, HP Insight management software, High Performance Clusters and Hard Drives were revised.  |
| 14-Oct-2011 | From Version 15 to 16 | Changed | Availability was revised in Standard Features   |
|             |                       |         | <p>Optimized, Standard and Basic Care Packages were updated in Service and Support</p> <p>Intel Trusted Execution Technology (TXT) Ready was removed</p>  |

### Summary of Changes

|             |                       |         |   |
|-------------|-----------------------|---------|---|
|             |                       |         | from Security   |
| 26-Sep-2011 | From Version 14 to 15 | Changed | Hot-plug SATA SSD maximum internal storage was increased to 800GB<br><br>Service and Support and Hard Drives were completely revised<br><br>Mentions of E2800/8867L were added  |
| 01-Aug-2011 | From Version 13 to 14 | Changed | Hard Drive descriptions were revised.   |
| 20-Jun-2011 | From Version 12 to 13 | Added   | Hot-plug SAS SSD maximum internal storage was added<br><br>RAID 0 and 1 are supported on the P410i without the need for a cache option note was added throughout<br><br>6G SAS Hot Plug Enterprise Performance and Mainstream Solid State Drives were added to Hard Drives  |
| 11-May-2011 | From Version 11 to 12 | Changed | Processor descriptions were revised<br><br>HP 900GB 6G SAS 10K rpm SFF Enterprise Drive was added to Hard Drives  |
| 25-Apr-2011 | From Version 10 to 11 | Removed | HP 250GB 3G SATA 7.2K rpm SFF Midline Drive was removed from Hard Drives.   |
| 15-Apr-2011 | From Version 9 to 10  | Changed | Changes made to processors sections.  |
| 06-Apr-2011 | From Version 8 to 9   | Changed | Formatting changes made to the Storage Controllers section within Overview, Configuration Information and Additional Options sections.  |
| 05-Apr-2011 | From Version 7 to 8   | Changed | Hot-plug SAS and SATA Maximum Internal Storage were increased to 2.0TB<br><br>Service and Support was completely revised<br><br>Ten Core Processors and Intel Xeon E7-2830 and E7-2820 were added to Processors<br><br>Oracle Solaris was added to Operating Systems and Virtualization Software Support for ProLiant Servers<br><br>Intel AES-NI and Intel Trusted Execution technology (TXT) Ready were added to Security<br><br>HP ProLiant BL620c G7 W Configure-to-order Server was added to Models in Step 1<br><br>HP 8GB and 16GB Dual Rank x4 PC3L-10600 Registered CAS-9 Low Power Memory Kit and HP 32GB Quad Rank x4 PC3L--8500 Registered CAS-7 Low Power Memory Kit were added to Memory<br><br>HP 1GB 6G SAS 7.2K rpm SFF Hot plug Midline and HP 250GB and 1TB 3G SATA 7.2K rpm SFF Midline Hard Drives were added to Hard Drives<br><br>HP Smart Array P711m/1G 6GB FBWC 4-ports Ext Mezzanine |

### Summary of Changes

|             |                     |         |   |
|-------------|---------------------|---------|---|
|             |                     |         | <p>SAS Controller was added to Storage Controllers</p> <p>HP 4GB Micro SD HC Flash Media Kit was added to HP USB and SD Options</p> <p>QLogic QMH4062 1GbE iSCSI Adapter for c-Class BladeSystem and HP NC522m Dual Port Flex-10 10GbE Multifunction BL-c Adapter were removed from HP Ethernet Mezzanine Options</p>   |
| 25-Feb-2011 | From Version 6 to 7 | Changed | Notes for Network Controller were revised in At A Glance and Portal Scrubbing was removed throughout.   |
| 14-Feb-2011 | From Version 5 to 6 | Changed | <p>Hot-plug SAS Maximum Internal Storage was increased to 1.2TB</p> <p>HP 450GB and 600GB 6G SAS 10K rpm SFF Dual Port Enterprise 3yr Warranty Hard Drives were added to Hard Drives</p>  |
| 28-Jan-2011 | From Version 4 to 5 | Changed | Storage Controllers was revised throughout.   |
| 10-Jan-2011 | From Version 3 to 4 | Changed | <p>HP Fibre Channel Mezzanine Options and HP Insight Software product descriptions were revised</p> <p>What's New was added to the Overview</p> <p>HP NC553m 10Gb 2-port FlexFabric Adapter was added to HP Ethernet Mezzanine Options</p> <p>All mentions of HP StorageWorks D2200sb PCIe Storage Blade were added</p> <p>Converged Network was removed from the HP NC553i 10Gb FlexFabric Adapter descriptions</p> <p>Oracle Enterprise Linux was removed from Operating Systems and Virtualization Software Support for ProLiant Servers</p> |
| 10-Dec-2010 | From Version 2 to 3 | Changed | Minor edits were made to Memory and Processors.   |
| 17-Nov-2010 | From Version 1 to 2 | Removed | Removed part number 581204-B21 from the Core Options section.   |

© Copyright 2015 Hewlett-Packard Development Company, L.P.

The information contained herein is subject to change without notice.

Microsoft is a US registered trademarks of Microsoft Corporation.

Intel, the Intel logo, Xeon and Xeon Inside are trademarks of Intel Corporation in the U.S. and other countries.

The only warranties for HP products and services are set forth in the express warranty statements accompanying such products and services. Nothing herein should be construed as constituting an additional warranty. HP shall not be liable for technical or editorial errors or omissions contained herein.

For hard drives, 1GB = 1 billion bytes (1,000 MB). Actual formatted capacity is less.