

Enhance your workforce collaboration and productivity

HPE 3PAR File Persona and AvePoint DocAve RBS provider for Microsoft® SharePoint 2013

Storage optimization solution for your SharePoint environment designed to improve data management processes and increase workforce productivity.

Efficient storage solution for your SharePoint deployment

Optimization

- Reduce SharePoint content bloat by moving unstructured data out of SQL Server and onto an external SMB
- Meet unique data sovereignty and compliance requirements by deploying an on-premises storage solution

Scalability

- Increase storage capacity to help meet the need of a growing SharePoint environment
- Improve performance without increasing the number of servers

Efficiency

- Deploy single shared capacity across block, file, and object access with unified management provided by HPE 3PAR StoreServ with File Persona
- 2x easier to provision and 2x easier to monitor in 1/3 the data center space¹

Infrastructure challenges created by SharePoint

With SharePoint deployment comes a question of how to optimize handling of unstructured data, known as Binary Large Objects (BLOBs), without compromising the availability or resiliency of your SharePoint content.

You may choose to store BLOBs in SharePoint, but, due to their size, users will experience poor performance and productivity when uploading, editing, or managing the data. SQL Server databases that store unstructured SharePoint content can quickly grow in size, degrade in performance, and become increasingly expensive to maintain, troubleshoot, back up, and secure.

Deploying SharePoint is the start of the process. The constant need for disk usage optimization, increased server performance, and cost reduction across various enterprise applications, along with the need to enhance the processes for workforce productivity call for an optimized solution. Storage optimization solutions are designed to meet these needs.

Storage optimization for your SharePoint deployment

HPE 3PAR StoreServ storage with HPE 3PAR File Persona jointly with a remote BLOB storage provider AvePoint DocAve Storage Manager, offer a highly optimized and scalable solution for SharePoint environments. Now you can externalize BLOB content to more cost-effective storage tiers (such as Nearline) while keeping critical applications like SharePoint and SQL Server on faster storage tiers (SSD, FC). This solution improves SharePoint and SQL Server performance for end-users, allowing BLOB content to be easily managed and stored on more economical storage tiers.

HPE 3PAR Storage with HPE File Persona

HPE 3PAR StoreServ with HPE File Persona is highly efficient, flash-optimized storage engineered for the true convergence of block, file, and object access. This unique solution delivers tightly integrated, truly converged storage for provisioning both block volumes for server workloads and file and object shares for client workloads.

¹ Taneja Group: Unified storage array efficiency—HPE 3PAR StoreServ 7400c versus EMC VNX 5600, December 2014

Solution brief

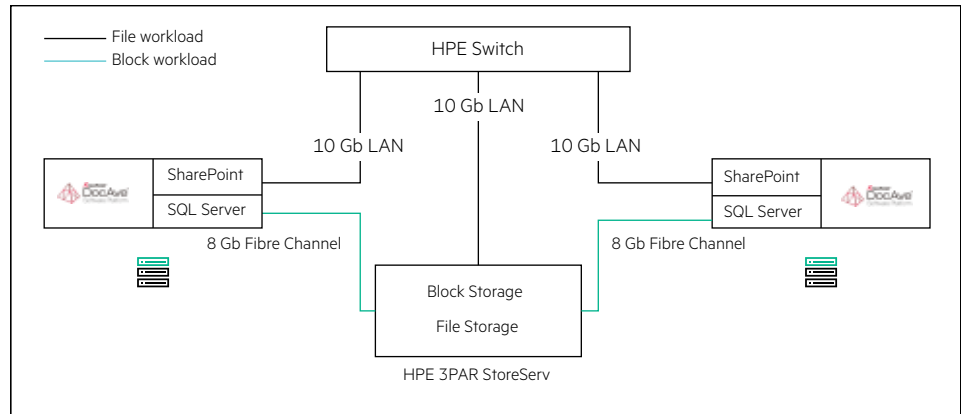


Figure 1. Topology view of connectivity

Efficient: Improve your primary storage efficiency

- 2x easier to provision and 2x easier to monitor
- One converged capacity eliminates wasted block or file space reservation

Effortless: Simplify your storage deployment and administration

- Autonomic provisioning of all capacity
- Single, simple, and streamlined administration of block, file, and object access

Bulletproof: Deploy your business processes with confidence

- Resilient Mesh-Active architecture
- Mission-critical proven Hewlett Packard Enterprise file system

Learn more at
hpe.com/storage/3parfilepersona



Sign up for updates


**Hewlett Packard
Enterprise**

© Copyright 2015–2017 Hewlett Packard Enterprise Development LP. The information contained herein is subject to change without notice. The only warranties for Hewlett Packard Enterprise products and services are set forth in the express warranty statements accompanying such products and services. Nothing herein should be construed as constituting an additional warranty. Hewlett Packard Enterprise shall not be liable for technical or editorial errors or omissions contained herein.

Microsoft is either a registered trademark or trademark of Microsoft Corporation in the United States and/or other countries. All other third-party trademark(s) is/are property of their respective owner(s).

4AA6-2984ENW, February 2017, Rev. 2